

Part no. WL-2103-56551



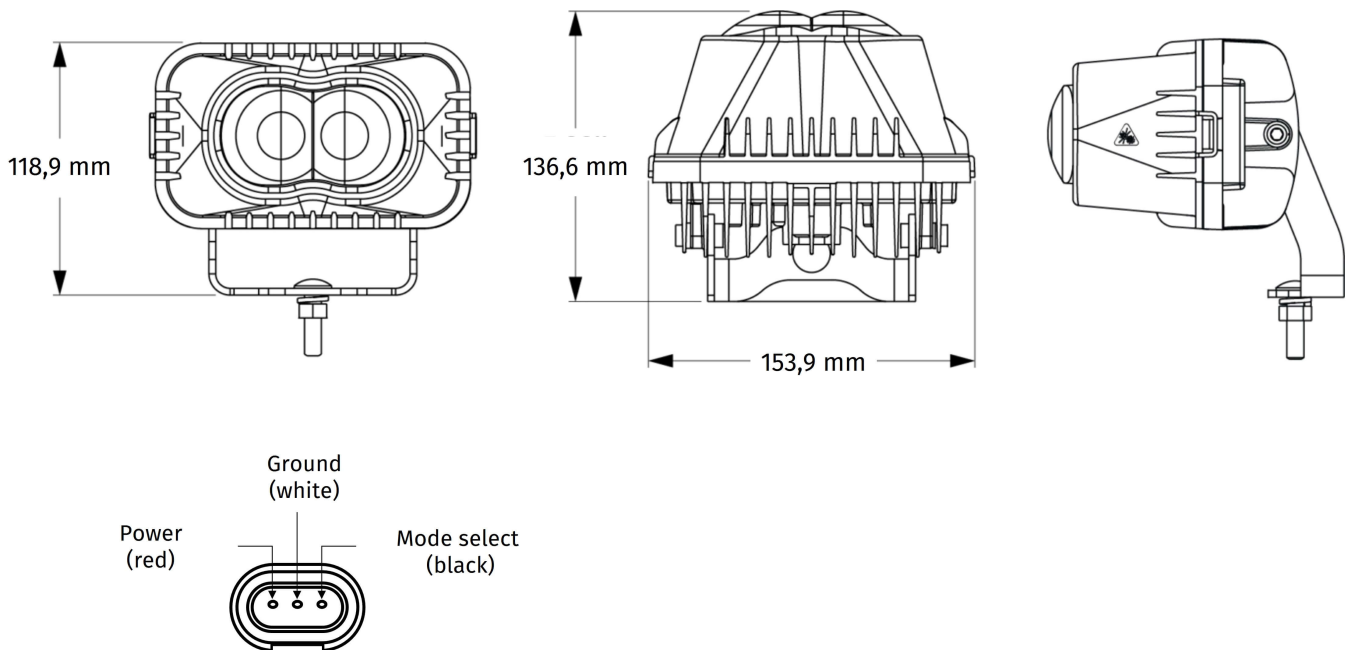
12-72 V, forklift truck (red/blue)

Specifications

Voltage range (V), nominal	12-72
Voltage range (V), functional	10-90
Power consumption (W)	43.2
Load capacity	
Temperature range (°C)	
Brightness	
Brightness (raw lm)	
Brightness (effective lm)	
Brightness (cd)	
Brightness (lx)	
Performance class	
Beam pattern/lens	
Beam angle [°]	
Colour Temperature (K)	
Others	
Ingress protection	
Resistivity	

Part no. WL-2103-56551

Dimensions



Mounting

Mounting type	Universal mount
Installation dimensions/diameter [mm]	
Installation depth [mm]	
Connector	
Mating connector	PE 12110293
Reverse polarity protection	1
Black wire	Moduswahl
Red wire	Warnleuchte
White wire	Masse

Others

Material (Housing)	Aluminium
Material (Diffusing lens)	Acryl
Color (Housing)	Schwarz
Color (Mount)	Schwarz
Color (Diffusing lens)	Klar

Variants

WL-2103-56551	12-72 V, Gabelstapler (rot/blau)
WL-2169-56551	12-72 V, Ausrufezeichen (rot/rot)
WL-2291-56551	12-72 V, Betreten verboten (rot/weiß)
WL-2292-56551	12-72 V, Ausrufezeichen (blau/blau)

Accessories