

Part no. WL-2040-20551

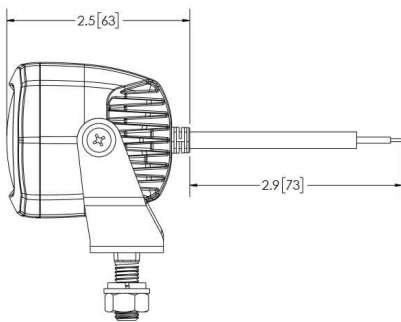
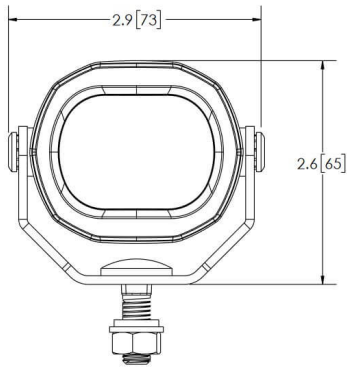
12-80 V, red line



Specifications

Voltage range (V), nominal	12-80
Voltage range (V), functional	9-86
Power consumption (W)	13,2
Load capacity	
Temperature range (°C)	-30 bis 50
Brightness	
Brightness (raw lm)	86
Brightness (effective lm)	65
Brightness (cd)	1433
Brightness (lx)	
Performance class	
Beam pattern/lens	
Beam angle [°]	
Colour Temperature (K)	1000
Frequency, revolutions (Hz, rpm, fpm)	
Others	
Ingress protection	
Resistivity	
Standards	
Electromagnetic Compatibility	ECE (Reg. 10)
Transient spike protection	

Dimensions



Mounting

Mounting type	Universalhalterung, 5/16"
Installation dimensions/diameter [mm]	7,9 mm
Installation depth [mm]	
Connector	Kabel
Mating connector	
Reverse polarity protection	1
Socket	

Part no. WL-2040-20551

Others

Material (Housing)	Aluminium
Material (Diffusing lens)	Polycarbonat
Color (Housing)	Schwarz
Color (Mount)	
Color (Diffusing lens)	Klar

Beam pattern

Variants

WL-2040-20551	12-80 V, rote Linie
---------------	---------------------

Accessories