

Part no. **WL-1762-52223**



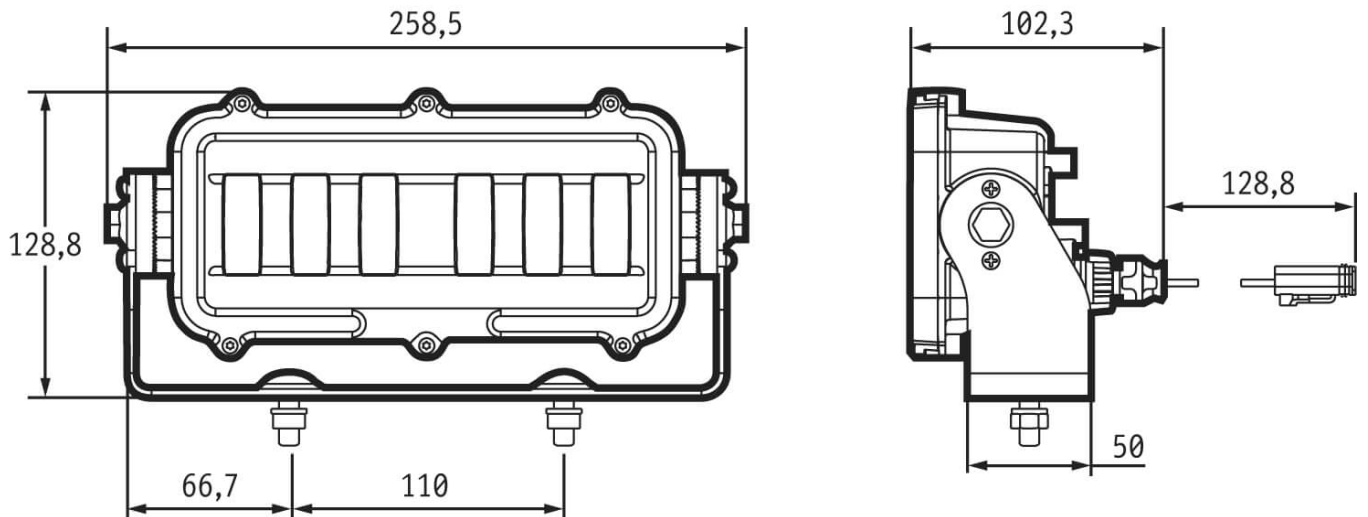
12-24 V, green zone

Specifications

Voltage range (V), nominal	12-24
Voltage range (V), functional	10-32
Power consumption (W)	14.4-19.2
Load capacity	
Temperature range (°C)	-40 to 65
Brightness	
Brightness (raw lm)	1500
Brightness (effective lm)	590
Brightness (cd)	
Brightness (lx)	
Performance class	
Beam pattern/lens	Warnzone, Zone
Beam angle [°]	
Colour Temperature (K)	
Others	
Ingress protection	IP69K
Resistivity	

Part no. WL-1762-52223

Dimensions



Mounting

Mounting type	Universal mount, M8-1.25 (2x)
Installation dimensions/diameter [mm]	
Installation depth [mm]	
Connector	iCONN iMATE 23
Mating connector	
Reverse polarity protection	1
Black wire	Masse
Red wire	Warnleuchte

Part no. WL-1762-52223

Others

Material (Housing)	Xenoy
Material (Diffusing lens)	Glas
Color (Housing)	Schwarz
Color (Mount)	Schwarz
Color (Diffusing lens)	Klar

Variants

AL-1279-52221	12-24 V, rote Warnzone
WL-1761-52222	12-24 V, orange Zone
WL-1762-52223	12-24 V, grüne Zone
WL-1763-52224	12-24 V, weiße Zone

Accessories