

Part no. WL-1660-77551

12-110 V, blue arrow

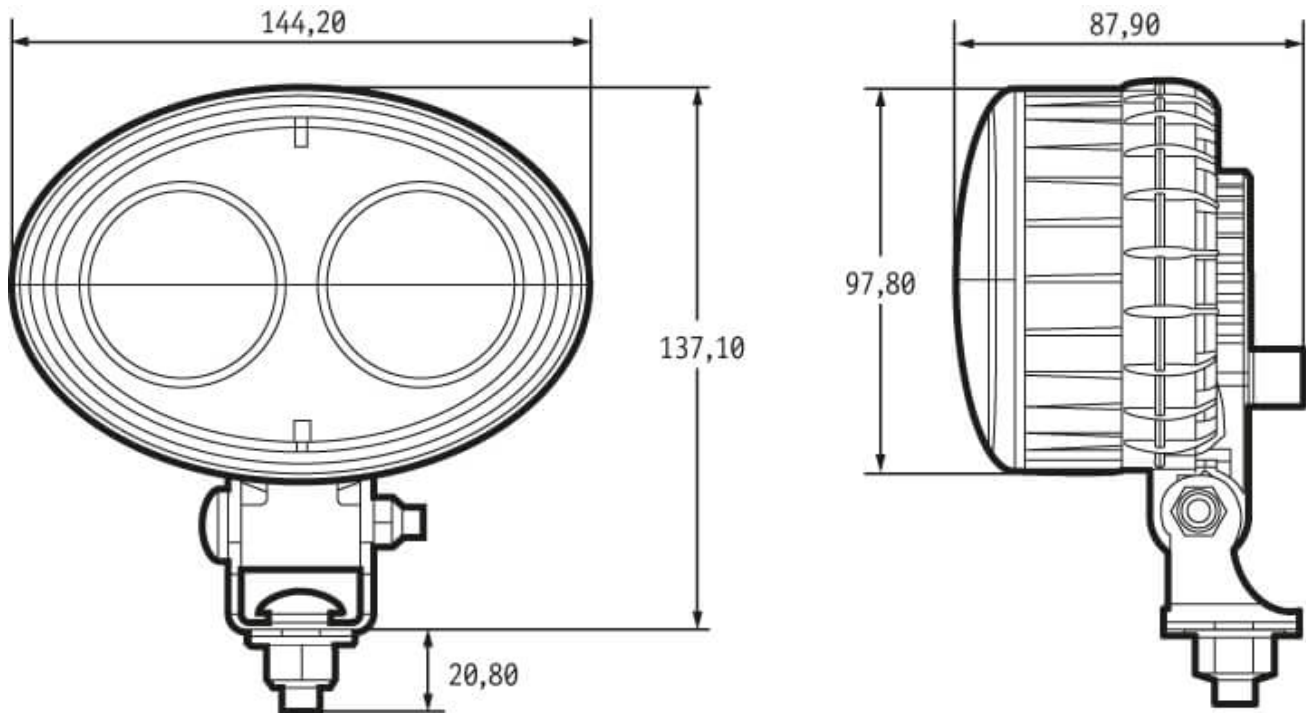


Specifications

Voltage range (V), nominal	12-110
Voltage range (V), functional	10-120
Power consumption (W)	
Load capacity	
Temperature range (°C)	
Brightness	
Brightness (raw lm)	
Brightness (effective lm)	
Brightness (cd)	
Brightness (lx)	
Performance class	
Beam pattern/lens	Warnzone, Pfeil
Beam angle [°]	
Colour Temperature (K)	
Others	
Ingress protection	IP69K
Resistivity	

Part no. WL-1660-77551

Dimensions



Mounting

Mounting type	Universalhalterung, M10-1,5x22
Installation dimensions/diameter [mm]	
Installation depth [mm]	
Connector	AMP (Serie 250)
Mating connector	
Reverse polarity protection	1
Black wire	Masse
Red wire	Warnleuchte

Part no. WL-1660-77551

Others

Material (Housing)	Polycarbonat
Material (Diffusing lens)	Polycarbonat
Color (Housing)	Schwarz
Color (Mount)	
Color (Diffusing lens)	Klar

Variants

AS-1154-06441	12-110 V, roter Punkt
WL-1660-77551	12-110 V, blauer Pfeil
WL-1661-77552	12-110 V, roter Pfeil

Accessories