

**Part no. WL-1502-44551**

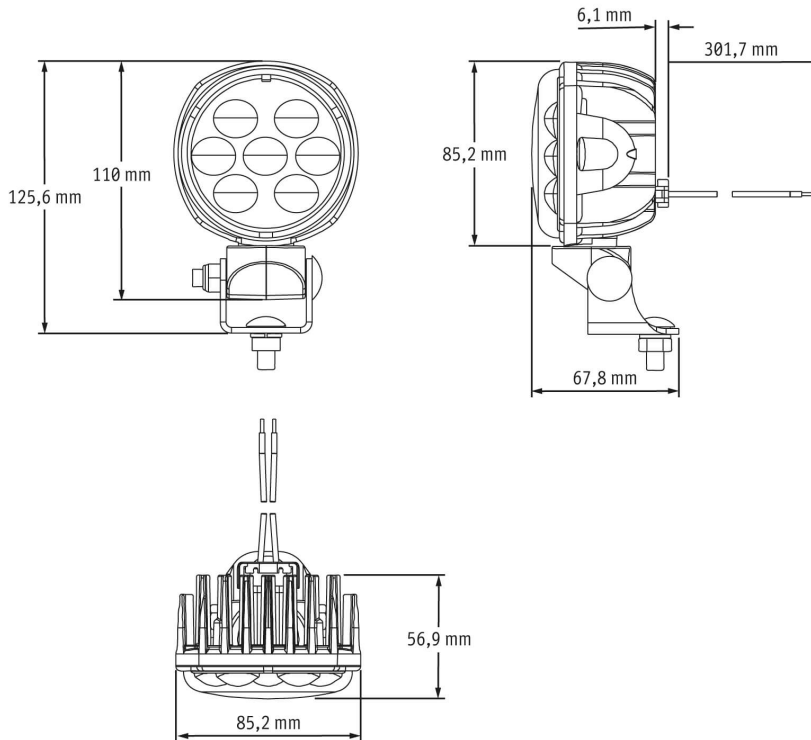


12-110 V, blue spot

## Specifications

<b>Voltage range (V), nominal</b>	12-110
<b>Voltage range (V), functional</b>	
<b>Power consumption (W)</b>	24-27,5
<b>Load capacity</b>	
<b>Temperature range (°C)</b>	
<b>Brightness</b>	
<b>Brightness (raw lm)</b>	
<b>Brightness (effective lm)</b>	258
<b>Brightness (cd)</b>	10268
<b>Brightness (lx)</b>	
<b>Performance class</b>	
<b>Beam pattern/lens</b>	Warnzone, Punkt
<b>Beam angle [°]</b>	
<b>Colour Temperature (K)</b>	
<b>Frequency, revolutions (Hz, rpm, fpm)</b>	
<b>Others</b>	
<b>Ingress protection</b>	IP67
<b>Resistivity</b>	
<b>Standards</b>	
<b>Electromagnetic Compatibility</b>	
<b>Transient spike protection</b>	

### Dimensions



### Mounting

<b>Mounting type</b>	Universalhalterung
<b>Installation dimensions/diameter [mm]</b>	
<b>Installation depth [mm]</b>	
<b>Connector</b>	Delphi MP280-2M (12084167), integriert
<b>Mating connector</b>	Delphi MP280-2F (12059183)
<b>Reverse polarity protection</b>	1
<b>Socket</b>	
<b>Black wire</b>	Masse
<b>Red wire</b>	Warnleuchte

**Part no. WL-1502-44551**

## Others

Material (Housing)	Aluminium
Material (Diffusing lens)	Polycarbonat
Color (Housing)	Schwarz
Color (Mount)	
Color (Diffusing lens)	Klar

## Beam pattern

## Variants

WL-1502-44551	12-110 V, blauer Punkt
---------------	------------------------

## Accessories

ZU-1881-44991	Blendschutz für Arbeitsscheinwerfer Modell 4415(SV)
---------------	---