

LED-Fahrtrichtungsanzeiger Modell 412

Part no. TL-913-41248



12-48 V, with front position light, ECE road approval (Reg. 6, 7), vertical mounting

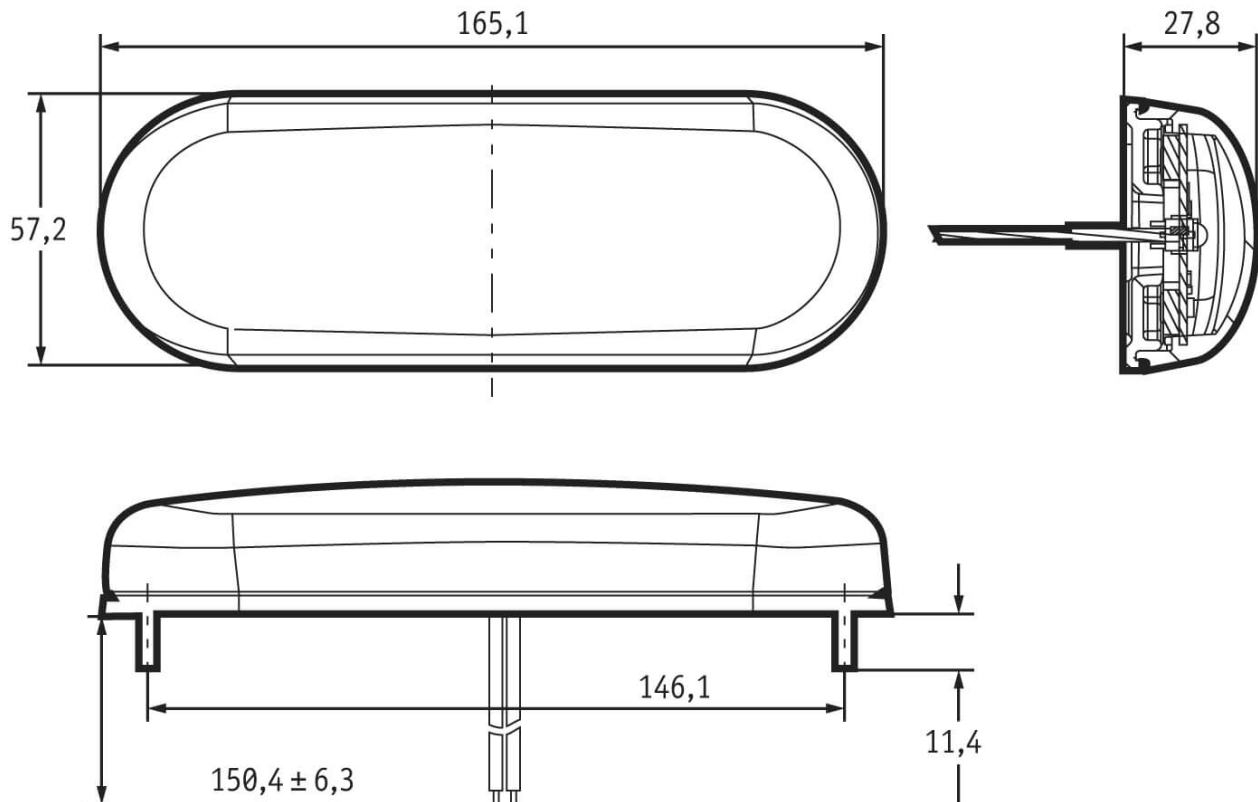
Specifications

Voltage range (V), nominal	12-48
Voltage range (V), functional	
Power consumption (W)	2,5
Load capacity	
Temperature range (°C)	-40 bis 65
Brightness	
Brightness (raw lm)	
Brightness (effective lm)	
Brightness (cd)	
Brightness (lx)	
Brightness (reference index)	
Performance class	
Beam pattern/lens	Positionslicht mit Fahrtrichtungsanzeiger
Beam angle [°]	
Colour Temperature (K)	
Others	
Ingress protection	IP67
Resistivity	
Standards	ECE (Reg. 6, 7), UL 583
Electromagnetic Compatibility	
Transient spike protection	

LED-Fahrtrichtungsanzeiger Modell 412

Part no. TL-913-41248

Dimensions



Mounting

Mounting type	Flachmontage (mit Kabeldurchführung)
Installation dimensions/diameter [mm]	
Installation depth [mm]	
Connector	Kabel
Mating connector	
Reverse polarity protection	1
Socket	
Black wire	Masse
Yellow wire	Fahrtrichtungsanzeiger
White wire	Positionslicht

LED-Fahrtrichtungsanzeiger Modell 412

Part no. TL-913-41248

Others

Material (Housing)	Polycarbonat
Material (Diffusing lens)	Polycarbonat
Color (Housing)	Schwarz
Color (Mount)	
Color (Diffusing lens)	Weiß

Beam pattern

Variants

TL-913-41248	12-48 V, mit Standlicht, ECE-Straßenzulassung (Reg. 6, 7), vertikale Befestigung
--------------	--

Accessories