

Part no. TL-2157-27411

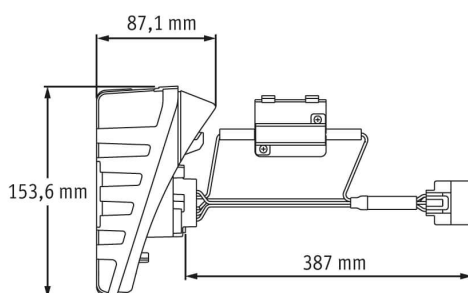
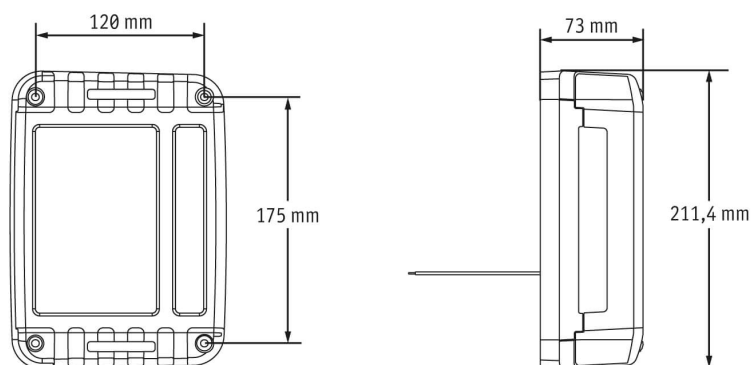


12-24 V, stop, tail and backup light, with turn signal, DOT, 2 light kit (left and right)

Specifications

Voltage range (V), nominal	
Voltage range (V), functional	
Power consumption (W)	
Load capacity	
Temperature range (°C)	
Brightness	
Brightness (raw lm)	
Brightness (effective lm)	
Brightness (cd)	
Brightness (lx)	
Brightness (reference index)	
Performance class	
Beam pattern/lens	
Beam angle [°]	
Colour Temperature (K)	
Others	
Ingress protection	
Resistivity	
Standards	
Electromagnetic Compatibility	
Transient spike protection	

Dimensions



Mounting

Mounting type	
Installation dimensions/diameter [mm]	
Installation depth [mm]	
Connector	
Mating connector	
Reverse polarity protection	0
Socket	

Part no. TL-2157-27411

Others

Material (Housing)	
Material (Diffusing lens)	
Color (Housing)	
Color (Mount)	
Color (Diffusing lens)	

Beam pattern

Variants

TL-2157-27411	12-24 V, Brems-, Schluss- und Rückfahrlicht, mit Fahrtrichtungsanzeiger, DOT, Set mit 2 Rücklichtern (links und rechts)
---------------	---

Accessories