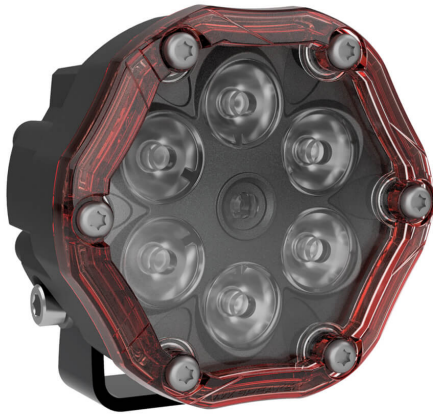


Part no. TL-1894-6014

## TRAIL 6 FLASH



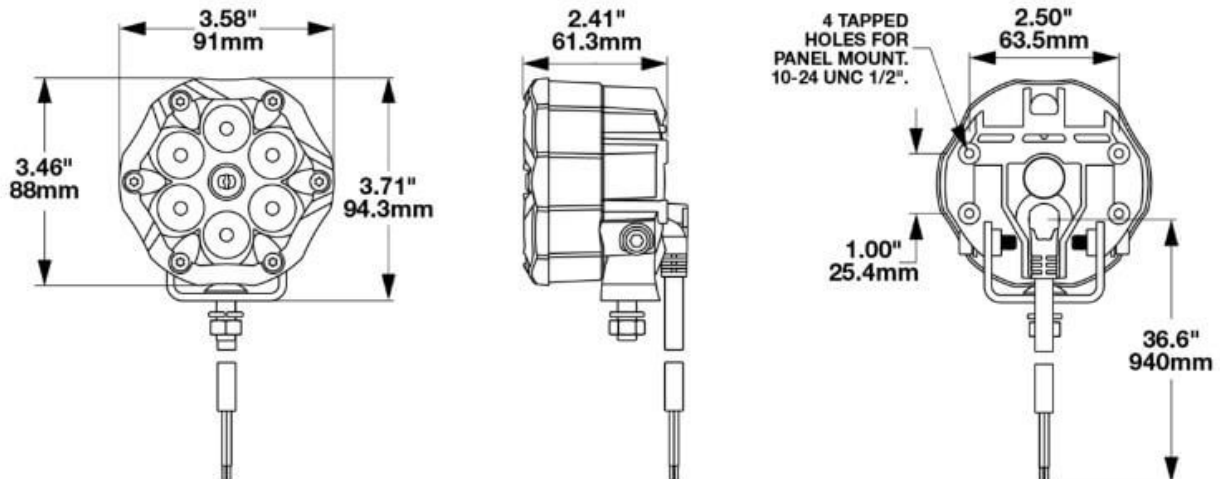
12 V, 2-light-kit

### Specifications

Voltage range (V), nominal	12
Voltage range (V), functional	10-15
Power consumption (W)	
Load capacity	
Temperature range (°C)	-40 to 80
Brightness	
Brightness (raw lm)	690
Brightness (effective lm)	330
Brightness (cd)	10000
Brightness (lx)	
Brightness (reference index)	
Performance class	
Beam pattern/lens	
Beam angle [°]	
Colour Temperature (K)	
Others	
Ingress protection	
Resistivity	
Standards	
Electromagnetic Compatibility	
Transient spike protection	

Part no. TL-1894-60140

## Dimensions



## Mounting

Mounting type	Spec. mounting bracket
Installation dimensions/diameter [mm]	
Installation depth [mm]	
Connector	Bare wire leads
Mating connector	
Reverse polarity protection	1
Socket	

**Part no. TL-1894-60140**

## Others

Material (Housing)	Aluminium
Material (Diffusing lens)	Polycarbonat
Color (Housing)	Schwarz
Color (Mount)	
Color (Diffusing lens)	Rot

## Beam pattern

## Variants

TL-1894-60140	12 V, Flash, Set mit 2 Rückleuchten
---------------	-------------------------------------

## Accessories

ZU-2046-06391	Montagehalter Trail 6 für Fahrlicht Modell Trail 6, für Einbau in Jeep JK-Stoßstange
---------------	--