

LED-Rückfahrscheinwerfer Modell 778 XD

Part no. TL-1342-77421



12-48 V, 580 lm, for backup camera systems, ECE
(Reg. 23)

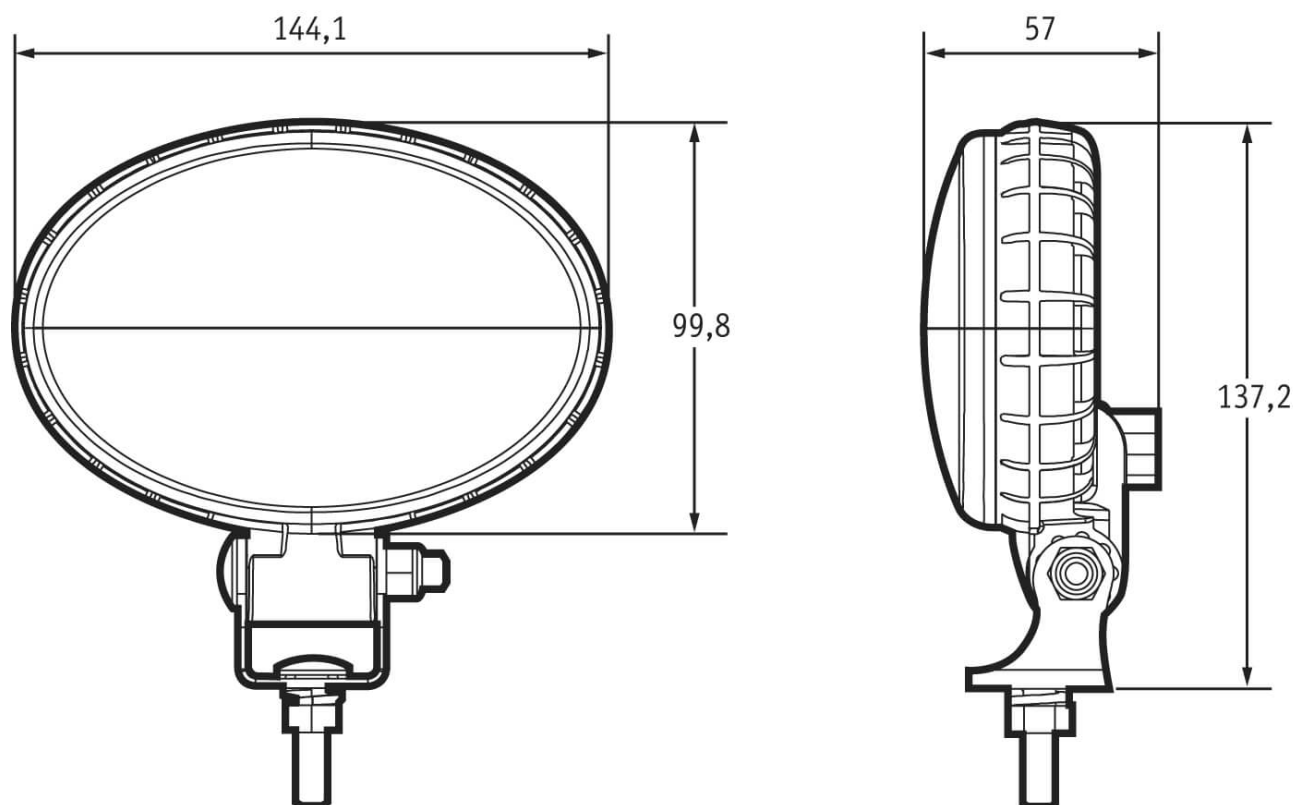
Specifications

Voltage range (V), nominal	12-48
Voltage range (V), functional	
Power consumption (W)	12
Load capacity	
Temperature range (°C)	-40 bis 65
Brightness	
Brightness (raw lm)	
Brightness (effective lm)	580
Brightness (cd)	300
Brightness (lx)	
Brightness (reference index)	
Performance class	
Beam pattern/lens	Spez.Lichtbild für Rückfahrkameras
Beam angle [°]	
Colour Temperature (K)	5000
Others	
Ingress protection	IP67
Resistivity	
Standards	ECE (Reg. 23), SAE (J593, J1455), IE 60529, EN12895
Electromagnetic Compatibility	ECE (Reg. 10), CE CISPR (12, 22), SAE (J1113), EN55022
Transient spike protection	330 V @ 1 Hz-100 Pulse

LED-Rückfahrscheinwerfer Modell 778 XD

Part no. TL-1342-77421

Dimensions



Mounting

Mounting type	Universalhalterung, 5/16"-18x1"
Installation dimensions/diameter [mm]	
Installation depth [mm]	
Connector	Deutsch-Stecker (DT04-2P)
Mating connector	Deutsch-Stecker (DT06-2S)
Reverse polarity protection	1
Black wire	Masse
Red wire	Rückfahrscheinwerfer

LED-Rückfahrscheinwerfer Modell 778 XD

Part no. TL-1342-77421

Others

Material (Housing)	Polycarbonat
Material (Diffusing lens)	Polycarbonat
Color (Housing)	Schwarz
Color (Mount)	
Color (Diffusing lens)	Weiß

Beam pattern

Variants

TL-1342-77421	12-48 V, 580 lm, für Rückfahrkameras, ECE-Straßenzulassung (Reg. 23)
---------------	--

Accessories