

Part no. TL-1223-41361

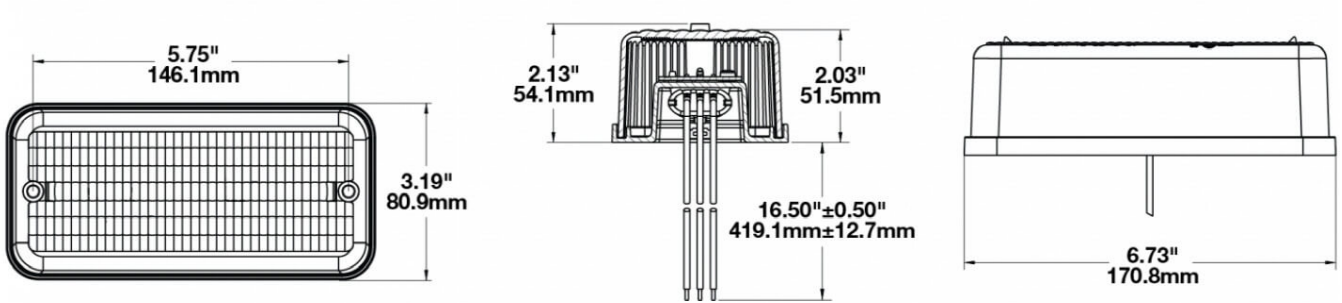


12 V, stop and tail light, red, SAE, ECE

Specifications

Voltage range (V), nominal	12
Voltage range (V), functional	
Power consumption (W)	0,084 (Schlussl.): 0,84 (Bremsl.)
Load capacity	
Temperature range (°C)	-40 bis 65
Brightness	
Brightness (raw lm)	
Brightness (effective lm)	
Brightness (cd)	
Brightness (lx)	
Brightness (reference index)	
Performance class	
Beam pattern/lens	Schluss- und Bremslicht
Beam angle [°]	
Colour Temperature (K)	
Others	
Ingress protection	IP67
Resistivity	
Standards	ECE (Reg. 7), SAE (J575, J585, J586, J588, J1889, J2040, J2139, J2261), FMVSS (108), UL 583
Electromagnetic Compatibility	
Transient spike protection	

Dimensions



Mounting

Mounting type	Flachmontage (mit Kabeldurchführung)
Installation dimensions/diameter [mm]	
Installation depth [mm]	
Connector	Kabel
Mating connector	
Reverse polarity protection	1
Socket	
Black wire	Masse
Red wire	Bremslicht
White wire	Schlusslicht

Part no. TL-1223-41361

Others

Material (Housing)	ABS-Kunststoff
Material (Diffusing lens)	Acryl
Color (Housing)	Schwarz
Color (Mount)	
Color (Diffusing lens)	Rot

Beam pattern

Variants

TL-1223-41361	12 V, Brems- und Schlußlicht, rot, SAE, ECE
---------------	---

Accessories