

Part no. SS-073-06301

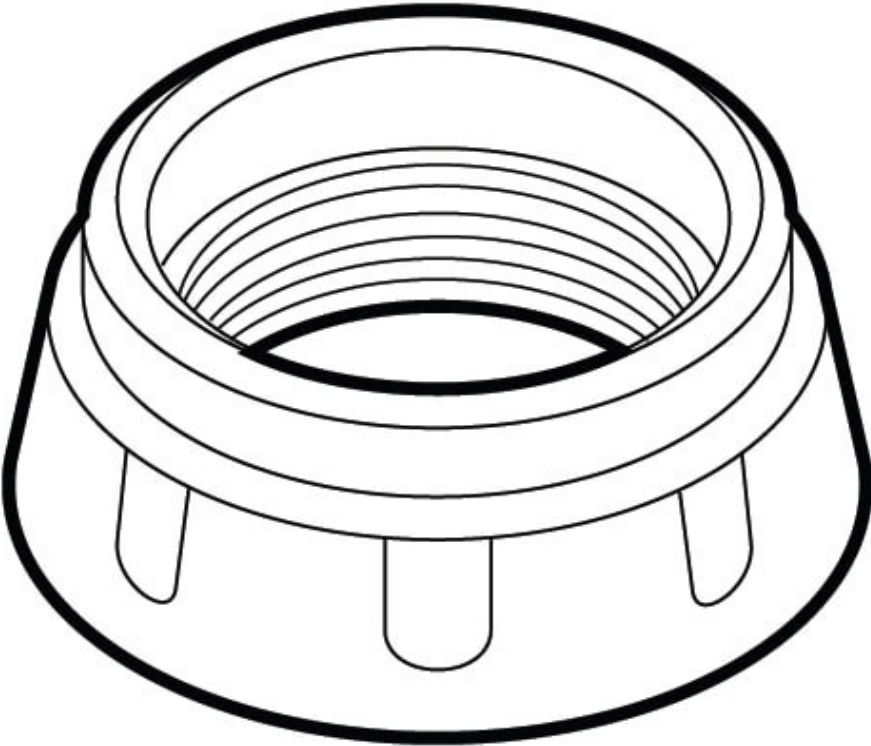


for dust protection cap, for various key switches

Specifications

Voltage range (V), nominal	
Voltage range (V), functional	
Load capacity	
Temperature range (°C)	
Working life	
Key code	-
Positions	-
Key removable	-
Others	
Ingress protection	
Resistivity	
Standards	
Electromagnetic Compatibility	
Transient spike protection	

Dimensions



Mounting

Mounting type	
Installation dimensions/diameter [mm]	
Installation depth [mm]	
Connector	
Mating connector	

Part no. SS-073-06301

Others

Material (Housing)

Color (Housing)

Variants

SS-073-06301

für Staubschutzkappe, für diverse Schaltschlösser

Accessories