

**Part no. RW-257-20087**

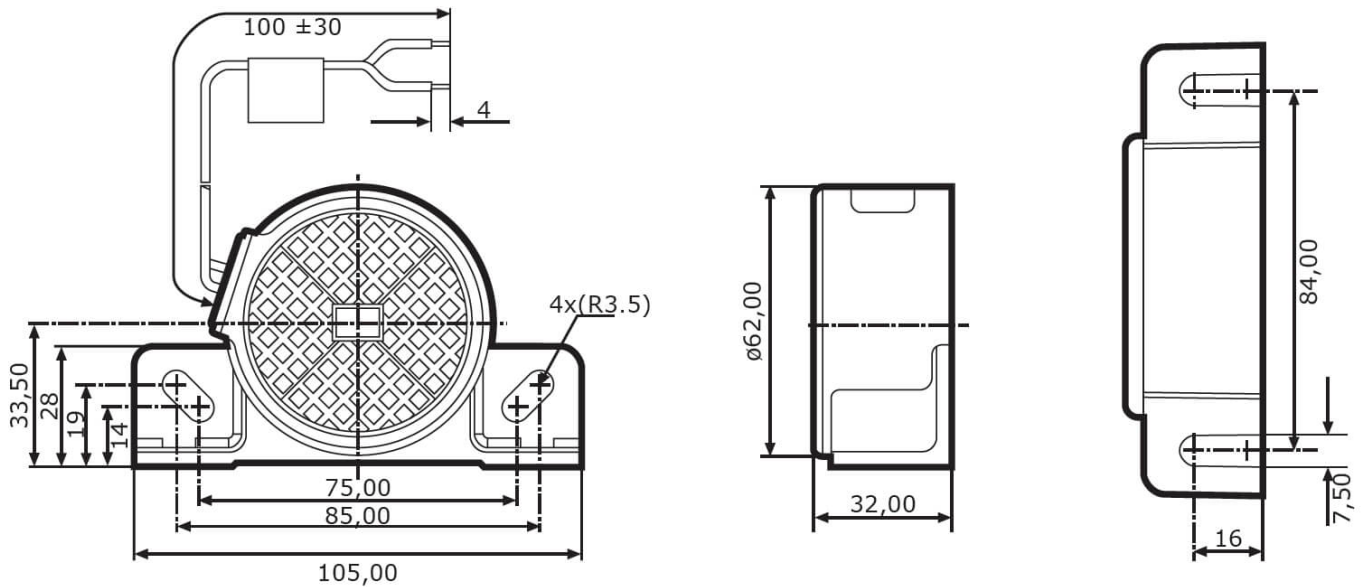


12-24 V, 87 dB, light applications

## Specifications

<b>Voltage range (V), nominal</b>	12-24
<b>Voltage range (V), functional</b>	
<b>Power consumption (W)</b>	
<b>Load capacity</b>	
<b>Temperature range (°C)</b>	-40 bis 85
<b>Sound volume (dB)</b>	87
<b>Frequency, revolutions (Hz, rpm, fpm)</b>	
<b>Working life</b>	Lebenslange Garantie
<b>Others</b>	
<b>Ingress protection</b>	IP68
<b>Resistivity</b>	Vibration 10 G
<b>Standards</b>	SAE (J994)
<b>Electromagnetic Compatibility</b>	ja
<b>Transient spike protection</b>	
<b>System size</b>	
<b>Type</b>	
<b>Mounting</b>	

## Dimensions



## Mounting

Mounting type	
Installation dimensions/diameter [mm]	
Installation depth [mm]	
Connector	Kabel
Mating connector	
Reverse polarity protection	0
Socket	

**Part no. RW-257-20087**

## Others

Material (Housing)	
Material (Diffusing lens)	
Color (Housing)	Schwarz
Color (Mount)	
Color (Diffusing lens)	

## Variants

RW-257-20087	12-24 V, 87 dB, leichter Einsatzbereich
--------------	---

## Accessories

## Functional drawing