

Part no. RW-253-20107

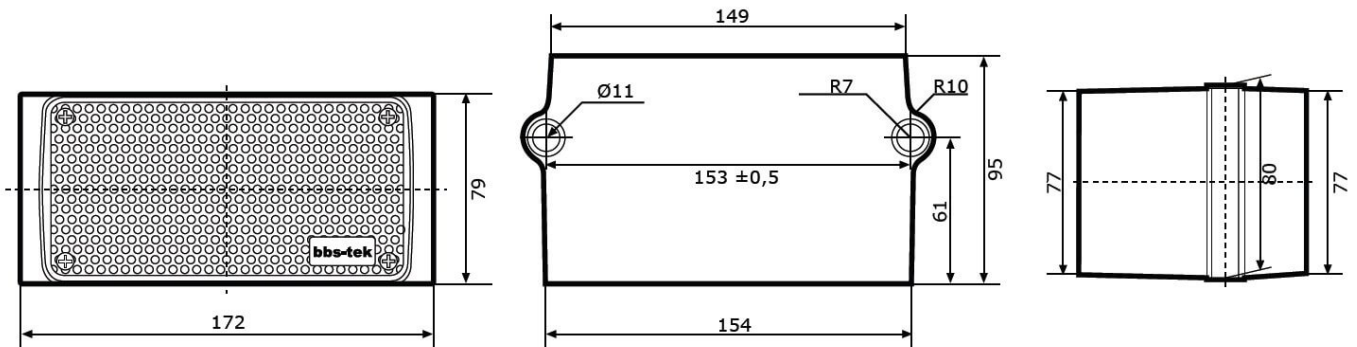


12-24 V, 107 dB, heavy applications

Specifications

Voltage range (V), nominal	12-24
Voltage range (V), functional	
Power consumption (W)	
Load capacity	
Temperature range (°C)	-40 bis 85
Sound volume (dB)	107
Frequency, revolutions (Hz, rpm, fpm)	
Working life	Lebenslange Garantie
Others	
Ingress protection	IP68
Resistivity	Vibration 10 G
Standards	SAE (J994)
Electromagnetic Compatibility	
Transient spike protection	
System size	
Type	
Mounting	

Dimensions



Mounting

Mounting type	
Installation dimensions/diameter [mm]	
Installation depth [mm]	
Connector	Kabel
Mating connector	
Reverse polarity protection	0
Socket	

Part no. RW-253-20107

Others

Material (Housing)	
Material (Diffusing lens)	
Color (Housing)	Schwarz
Color (Mount)	
Color (Diffusing lens)	

Variants

RW-253-20107	12-24 V, 107 dB, schwerer Einsatzbereich
--------------	--

Accessories

Functional drawing