

Part no. RW-024-50102

12-24 V, 102 dB

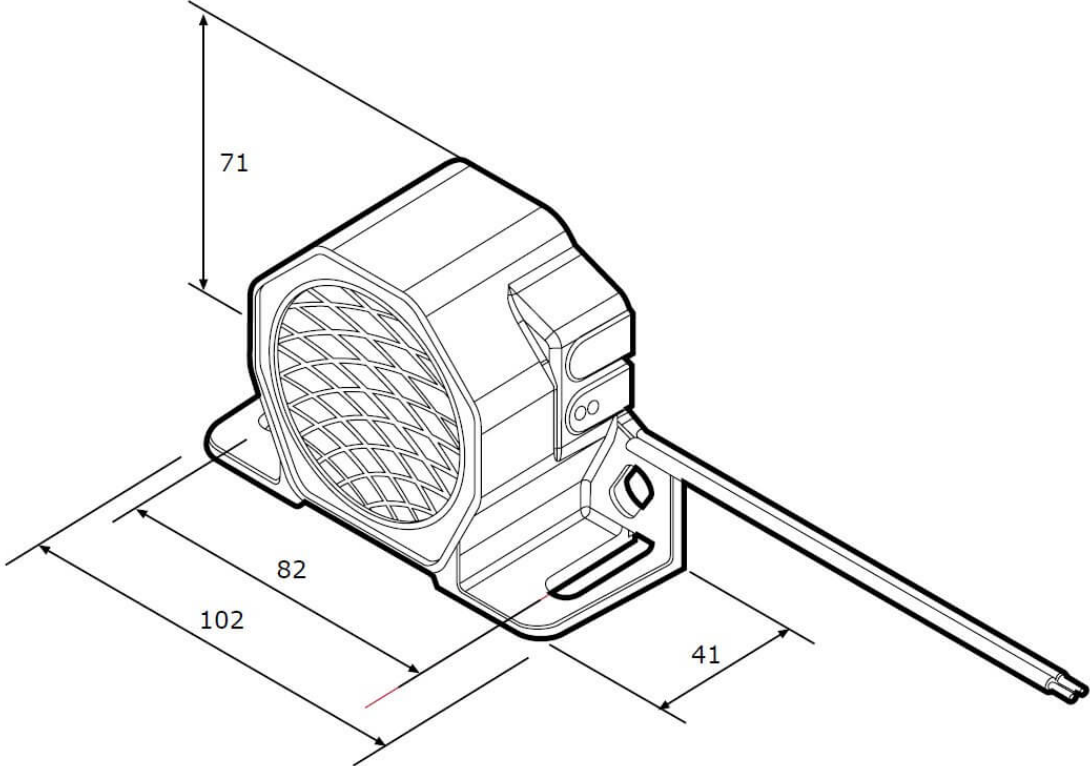


Specifications

Voltage range (V), nominal	12-24
Voltage range (V), functional	
Power consumption (W)	
Load capacity	
Temperature range (°C)	-40 bis 85
Brightness	
Brightness (raw lm)	
Brightness (effective lm)	
Brightness (cd)	
Brightness (lx)	
Performance class	
Beam pattern/lens	
Beam angle [°]	
Colour Temperature (K)	
Others	
Ingress protection	
Resistivity	

Part no. RW-024-50102

Dimensions



Mounting

Mounting type	
Installation dimensions/diameter [mm]	
Installation depth [mm]	
Connector	Kabel
Mating connector	
Reverse polarity protection	0

Part no. RW-024-50102

Others

Material (Housing)	
Material (Diffusing lens)	
Color (Housing)	Schwarz
Color (Mount)	
Color (Diffusing lens)	

Variants

RW-020-45154	12-24 V, 90-0 dB, Night-Alarm, Doppelsignal
RW-021-45152	12-24 V, 90-0 dB, Night-Alarm, schaltbar
RW-022-45153	12-24 V, 90-78 dB, Night Alarm, schaltbar und reduzierbar
RW-023-50097	12-24 V, 97 dB
RW-024-50102	12-24 V, 102 dB
RW-326-30951	12-48 V, 77-97 dB, Smart Alarm
RW-338-91280	12-80 V, 87 dB, Multivolt, Schraubklemm-Anschluss
RW-1216-90001	12-24 V, 102 dB, Dauerton
RW-1232-50501	12-24 V, 87 dB
RW-1533-50721	12-24 V, 87 dB, Multi-Frequenz
RW-1534-50722	12-24 V, 97 dB, Multi-Frequenz
RW-1535-50723	12-24 V, 82 dB, Multi-Frequenz
RW-1536-50724	12-24 V, 92 dB, Multi-Frequenz
RW-2183-58721	12-48 V, 94 dB, Schraubklemm-Anschluss

Accessories