

Verbindungsstück, 1 Zoll

Part no. RM-502-10201

13.3 cm (5.25 in.), for 1 in. ball (size B)



Specifications

Voltage range (V), nominal	
Voltage range (V), functional	
Power consumption (W)	
Load capacity	
Temperature range (°C)	
Brightness	
Brightness (raw lm)	
Brightness (effective lm)	
Brightness (cd)	

Brightness (lx)

Verbindungsstück 1-Zell

Performance class

Beam pattern/lens

Beam angle [°]

Colour Temperature (K)

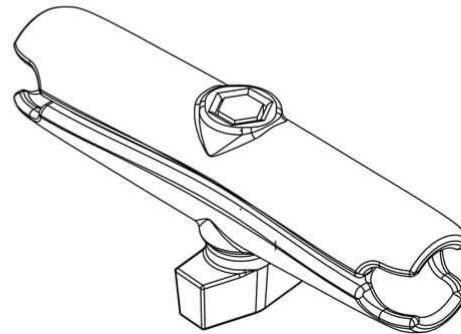
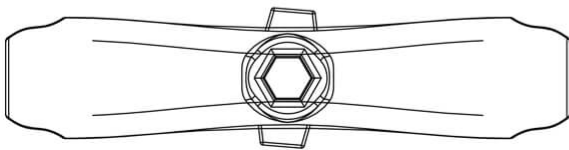
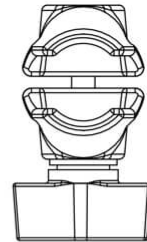
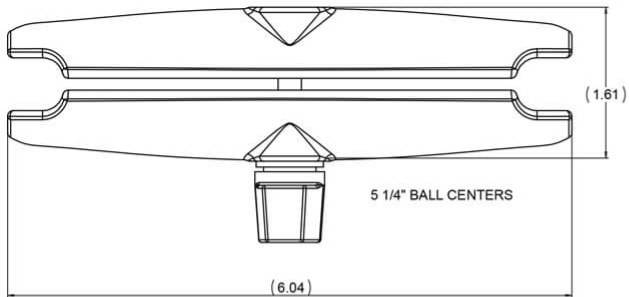
Others

Ingress protection

Resistivity

Part no. RM-502-10201

Dimensions



Mounting

Mounting type

Installation dimensions/diameter [mm]

Installation depth [mm]

Connector

Mating connector

Reverse polarity protection

0

Part no. RM-502-10201

Others

Material (Housing)	
Material (Diffusing lens)	
Color (Housing)	
Color (Mount)	
Color (Diffusing lens)	

Variants

RM-500-10201	4,4 cm (1,75 Zoll), für 1-Zoll-Kugel (Größe B) RAM-B-201U-A
RM-501-10201	7,6 cm (3 Zoll), für 1-Zoll-Kugel (Größe B) RAM-B-201U
RM-502-10201	13,3 cm (5,25 Zoll), für 1-Zoll-Kugel (Größe B) RAM-B-201U-C
RM-506-10200	14 cm (5,5 Zoll), mit drehbarem Gelenk, für 1-Zoll-Kugel (Größe B) RAP-B-200-2U
RM-532-10201	7,6 cm (3 Zoll), für 1-Zoll-Kugel (Größe B), Komposit RAP-B-201U
RM-548-10201	4,4 cm (1,75 Zoll), für 1-Zoll-Kugel (Größe B), Verbundstoff

Accessories