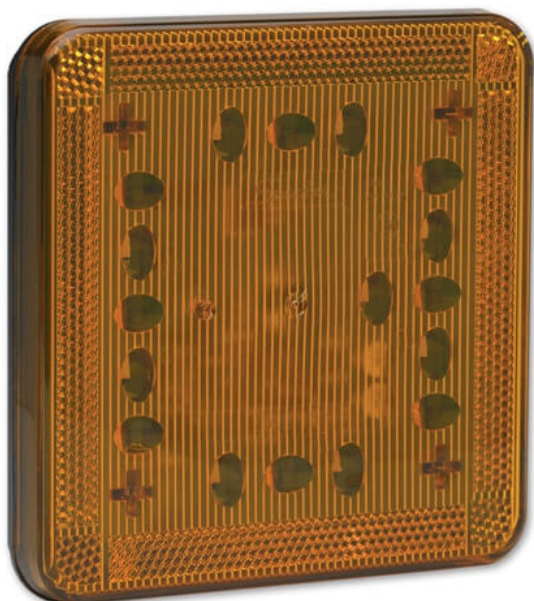


Part no. PL-817-22491

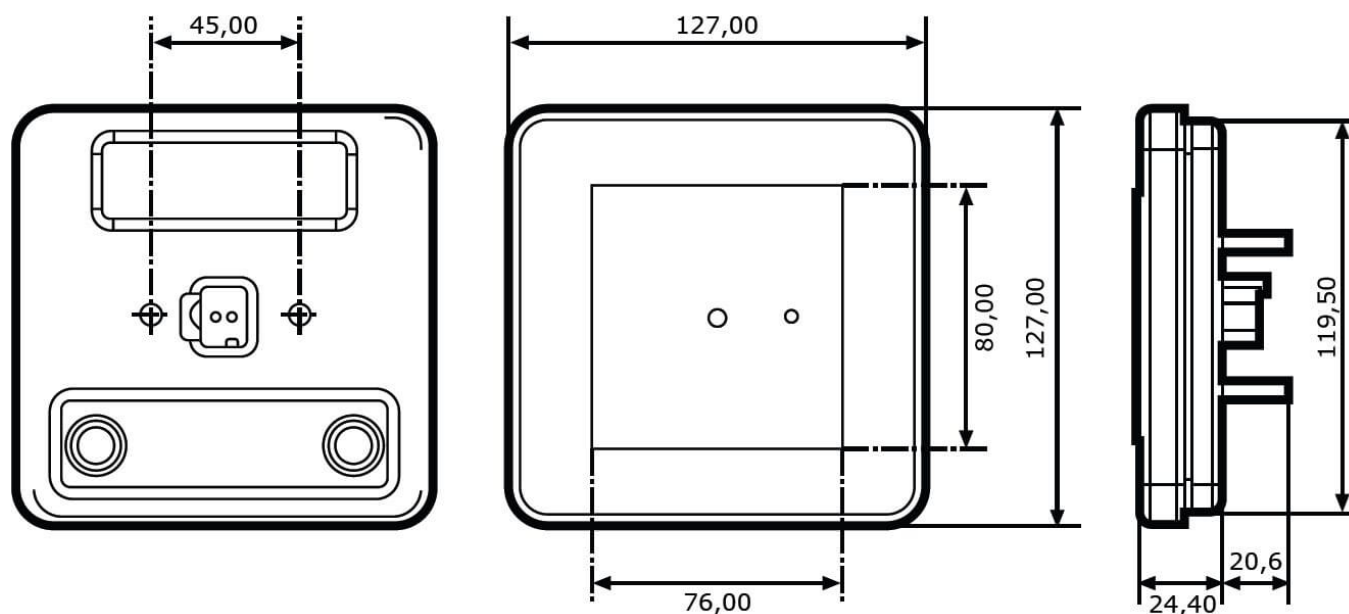


12-24 V, turn signal, amber, ECE road approval (Reg. 7), cable

Specifications

Voltage range (V), nominal	12-24
Voltage range (V), functional	
Power consumption (W)	26,4-27,36
Load capacity	
Temperature range (°C)	-40 bis 65
Brightness	
Brightness (raw lm)	
Brightness (effective lm)	
Brightness (cd)	
Brightness (lx)	
Brightness (reference index)	
Performance class	
Beam pattern/lens	Fahrtrichtungsanzeiger
Beam angle [°]	
Colour Temperature (K)	
Others	
Ingress protection	IP67
Resistivity	
Standards	ECE (Reg. 6), SAE (J96, J588, J974), FMVSS (108), ASABE (279)
Electromagnetic Compatibility	
Transient spike protection	

Dimensions



Mounting

Mounting type	Einbau
Installation dimensions/diameter [mm]	119,5x119,5
Installation depth [mm]	
Connector	Deutsch-Stecker (DT04-4P)
Mating connector	
Reverse polarity protection	1
Socket	
Black wire	Masse
Yellow wire	Fahrrichtungsanzeiger

Part no. PL-817-22491

Others

Material (Housing)	ABS-Kunststoff
Material (Diffusing lens)	Acryl
Color (Housing)	Schwarz
Color (Mount)	
Color (Diffusing lens)	Orange

Beam pattern

Variants

PL-817-22491	12-24 V, Fahrtrichtungsanzeiger, gelb, ECE-Straßenzulassung (Reg. 7), Kabelausgang
--------------	--

Accessories