

LED-Fahrtrichtungsanzeiger Modell 93

Part no. PL-1911-93461



12-24 V, amber, with DRL, with front position light, ECE road approval (Reg. 6, 7, 87)

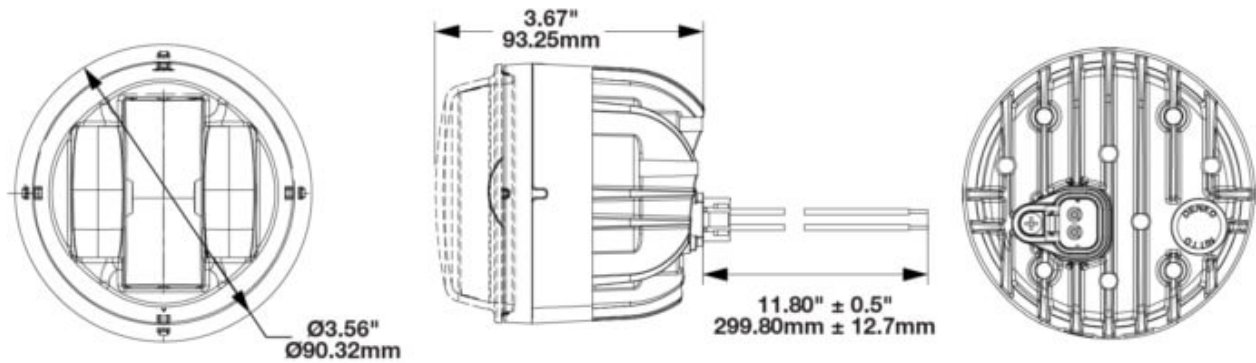
Specifications

| | |
|--------------------------------------|----------------------------------------------------------------|
| Voltage range (V), nominal | 12-24 |
| Voltage range (V), functional | 10-30 |
| Power consumption (W) | 10,8-14,16 (Blinker), 7,2-8,4 (Tagfahrl.), 0,72-0,96 (Standl.) |
| Load capacity | |
| Temperature range (°C) | -40 bis 65 |
| Brightness | |
| Brightness (raw lm) | |
| Brightness (effective lm) | |
| Brightness (cd) | |
| Brightness (lx) | |
| Brightness (reference index) | |
| Performance class | |
| Beam pattern/lens | |
| Beam angle [°] | |
| Colour Temperature (K) | |
| Others | |
| Ingress protection | IP69K |
| Resistivity | |
| Standards | ECE (Reg. 6, 7, 87), DOT, FMVSS (108-VI), SAE (J2087, J588) |
| Electromagnetic Compatibility | |
| Transient spike protection | 150 V @ 1 Hz-100 Pulse |

LED-Fahrtrichtungsanzeiger Modell 93

Part no. PL-1911-93461

Dimensions



Mounting

| | |
|---------------------------------------|---------------------------|
| Mounting type | |
| Installation dimensions/diameter [mm] | 90,32 |
| Installation depth [mm] | |
| Connector | Deutsch-Stecker (DT04-4P) |
| Mating connector | Deutsch-Stecker (DT06-4S) |
| Reverse polarity protection | 1 |
| Socket | |
| Black wire | Masse |
| Red wire | Tagfahrlicht |
| Yellow wire | Fahrtrichtungsanzeiger |
| White wire | Standlicht |

LED-Fahrtrichtungsanzeiger Modell 93

Part no. PL-1911-93461

Others

| | |
|----------------------------------|--------------|
| Material (Housing) | Aluminium |
| Material (Diffusing lens) | Polycarbonat |
| Color (Housing) | Schwarz |
| Color (Mount) | Schwarz |
| Color (Diffusing lens) | Weiß |

Beam pattern

Variants

| | |
|----------------------|---------------------------------------------------------------------------------------|
| PL-1911-93461 | 12-24 V, gelb, mit Tagfahrlicht, mit Standlicht, ECE-Straßenzulassung (Reg. 6, 7, 87) |
|----------------------|---------------------------------------------------------------------------------------|

Accessories

| | |
|----------------------|--------------------------------------------------------------------------------------------|
| ZU-1916-93394 | Montagehalter 93 für Modell 93, Aufbau, für 1 Scheinwerfer |
| ZU-1915-93393 | Montagehalter 93 für Modell 93. Aufbau, Doppelhalter für 2 Scheinwerfer |
| ZU-1914-93392 | Montagehalter 93 für Modell 93, Einbau, 3-Punkt-Montage, 3 mm |
| ZU-1913-93391 | Montagehalter 93 für Modell 93, Einbau, 3-Punkt-Montage, 1,5 mm |
| FS-1906-93311 | LED-Fahrscheinwerfer Modell 93 12-24 V, Abblendlicht, ECE-Straßenzulassung (Reg. 112), DOT |