

LED-Fahrtrichtungsanzeiger Modell 234 SmartHeat

Part no. **PL-1700-23461**



12-24 V, turn signal, DOT, with heated lens

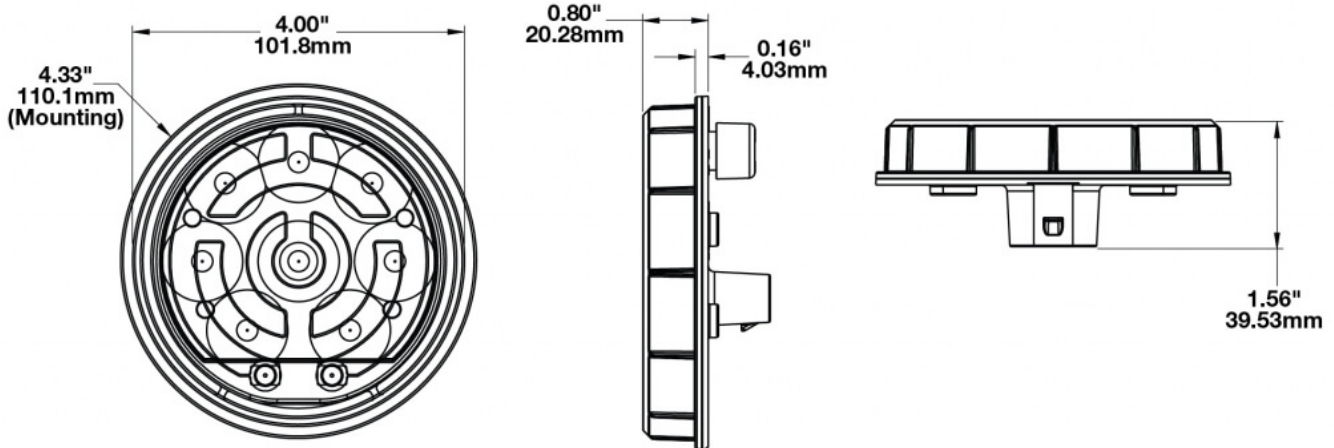
Specifications

Voltage range (V), nominal	12-24
Voltage range (V), functional	9-32
Power consumption (W)	15,6-16,8 (Blinker), 10,8-12 (Heizung)
Load capacity	
Temperature range (°C)	
Brightness	
Brightness (raw lm)	
Brightness (effective lm)	54
Brightness (cd)	
Brightness (lx)	
Brightness (reference index)	
Performance class	
Beam pattern/lens	Fahrtrichtungsanzeiger
Beam angle [°]	
Colour Temperature (K)	
Others	mit beheizter Frontlinse
Ingress protection	IP69K
Resistivity	
Standards	
Electromagnetic Compatibility	
Transient spike protection	

LED-Fahrtrichtungsanzeiger Modell 234 SmartHeat

Part no. PL-1700-23461

Dimensions



Mounting

Mounting type	Einbau
Installation dimensions/diameter [mm]	101,8
Installation depth [mm]	
Connector	AMP (282087-1)
Mating connector	AMP (282087-1)
Reverse polarity protection	1
Socket	
Black wire	Masse
Red wire	Fahrtrichtungsanzeiger
White wire	Beheizte Frontlinse

LED-Fahrtrichtungsanzeiger Modell 234 SmartHeat

Part no. PL-1700-23461

Others

Material (Housing)	Polycarbonat
Material (Diffusing lens)	Polycarbonat
Color (Housing)	Schwarz
Color (Mount)	
Color (Diffusing lens)	Klar

Beam pattern

Variants

PL-1700-23461	12-24 V, DOT, mit beheizter Streuscheibe
---------------	--

Accessories