

Part no. PL-1326-41451



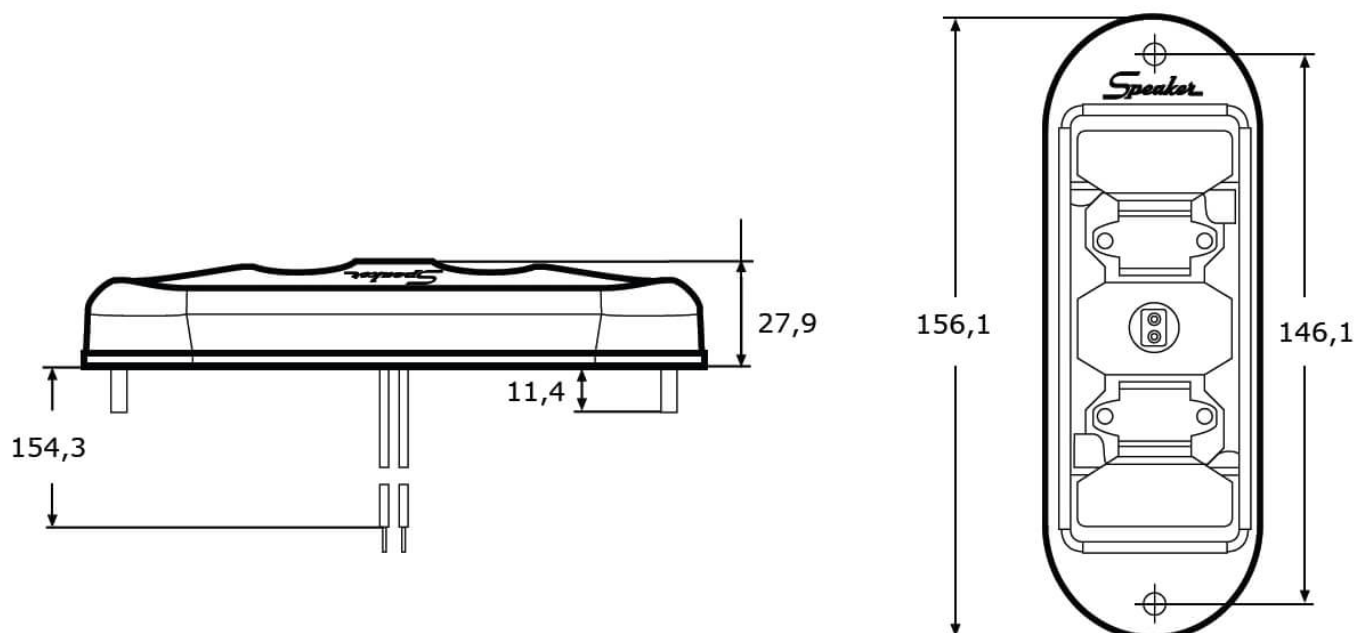
12-48 V, front position light and turn signal, ECE compliance (Reg. 6, 7), vertikal mounting

Specifications

Voltage range (V), nominal	12-48
Voltage range (V), functional	
Power consumption (W)	2.5
Load capacity	
Temperature range (°C)	
Brightness	
Brightness (raw lm)	
Brightness (effective lm)	
Brightness (cd)	
Brightness (lx)	
Brightness (reference index)	
Performance class	
Beam pattern/lens	Positionslicht mit Fahrtrichtungsanzeiger
Beam angle [°]	
Colour Temperature (K)	
Others	
Ingress protection	IP67
Resistivity	
Standards	ECE (Reg. 6, 7), UL 583
Electromagnetic Compatibility	
Transient spike protection	

Part no. PL-1326-41451

Dimensions



Mounting

Mounting type	
Installation dimensions/diameter [mm]	
Installation depth [mm]	
Connector	Bare wire leads
Mating connector	
Reverse polarity protection	1
Socket	

Part no. PL-1326-41451

Others

Material (Housing)	Polycarbonat
Material (Diffusing lens)	
Color (Housing)	Schwarz
Color (Mount)	
Color (Diffusing lens)	Weiß

Beam pattern

Variants

PL-1326-41451	12-48 V, Stand- und Blinklicht, ECE-Straßenzulassung (Reg. 6, 7), vertikale Befestigung
---------------	---

Accessories