

# LED-Fahrtrichtungsanzeiger Modell 91

**Part no. PL-1312-90461**



12-24 V, with daytime running light and position light, ECE road approval (reg. 6)

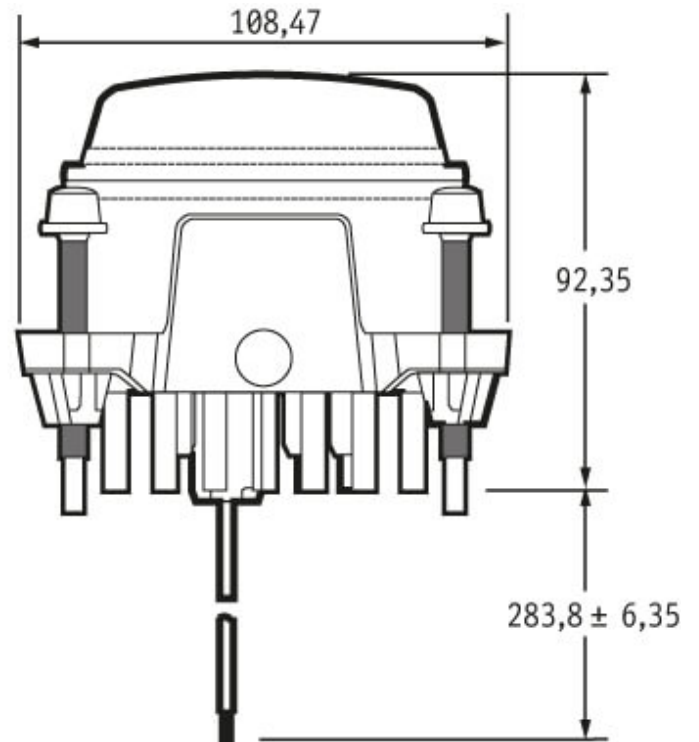
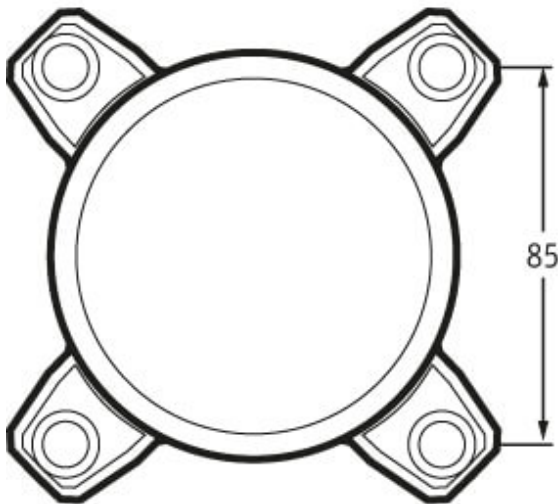
## Specifications

<b>Voltage range (V), nominal</b>	12-24
<b>Voltage range (V), functional</b>	10,5-38
<b>Power consumption (W)</b>	19,2-31,2 (Blinker), 7,2-8,4 (Tagfahrl.), 0,84-0,96 (Positionsl.)
<b>Load capacity</b>	
<b>Temperature range (°C)</b>	-40 bis 65
<b>Brightness</b>	
<b>Brightness (raw lm)</b>	
<b>Brightness (effective lm)</b>	
<b>Brightness (cd)</b>	
<b>Brightness (lx)</b>	
<b>Brightness (reference index)</b>	
<b>Performance class</b>	
<b>Beam pattern/lens</b>	Fahrtrichtungsanzeiger, Tagfahrlicht, Standlicht
<b>Beam angle [°]</b>	
<b>Colour Temperature (K)</b>	5000
<b>Others</b>	
<b>Ingress protection</b>	IP67
<b>Resistivity</b>	
<b>Standards</b>	SAE (J2087)
<b>Electromagnetic Compatibility</b>	
<b>Transient spike protection</b>	150 V @ 1 Hz-100 Pulse

# LED-Fahrtrichtungsanzeiger Modell 91

Part no. PL-1312-90461

## Dimensions



## Mounting

Mounting type	Einbau
Installation dimensions/diameter [mm]	90
Installation depth [mm]	
Connector	Kabel
Mating connector	
Reverse polarity protection	1
Socket	
Black wire	Masse
Red wire	Standlicht
White wire	Fahrtrichtungsanzeiger

# LED-Fahrtrichtungsanzeiger Modell 91

**Part no. PL-1312-90461**

## Others

Material (Housing)	Aluminium
Material (Diffusing lens)	Polycarbonat
Color (Housing)	Silber
Color (Mount)	
Color (Diffusing lens)	Weiß

## Beam pattern

## Variants

PL-1312-90461	12-24 V, mit Tagfahrlicht und Standlicht, ECE-Straßenzulassung (Reg. 6)
---------------	---

## Accessories