

LED-Fahrtrichtungsanzeiger Modell 217

Part no. PL-1271-21461

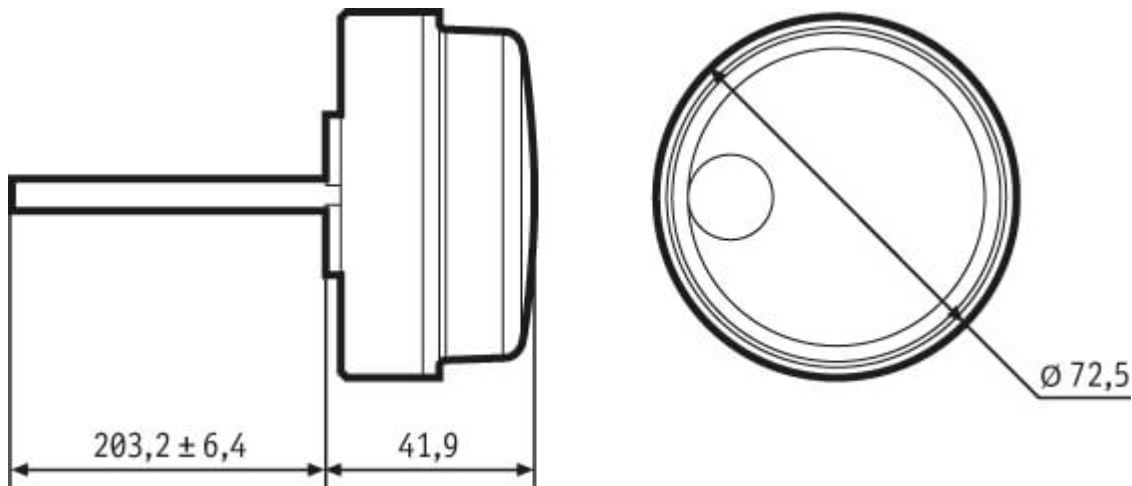


12-24 V, amber, ECE road approval (Reg. 6)

Specifications

Voltage range (V), nominal	12-24
Voltage range (V), functional	
Power consumption (W)	2,4
Load capacity	
Temperature range (°C)	-40 bis 65
Brightness	
Brightness (raw lm)	
Brightness (effective lm)	
Brightness (cd)	
Brightness (lx)	
Performance class	
Beam pattern/lens	Fahrtrichtungsanzeiger
Beam angle [°]	
Colour Temperature (K)	
Others	
Ingress protection	IP67
Resistivity	

Dimensions



Mounting

Mounting type	Flachmontage (mit Kabeldurchführung)
Installation dimensions/diameter [mm]	72,5
Installation depth [mm]	
Connector	Kabel
Mating connector	
Reverse polarity protection	1
Black wire	Masse
Red wire	Fahrtrichtungsanzeiger

LED-Fahrtrichtungsanzeiger Modell 217

Part no. PL-1271-21461

Others

Material (Housing)	Polycarbonat
Material (Diffusing lens)	Polycarbonat
Color (Housing)	Schwarz
Color (Mount)	
Color (Diffusing lens)	Orange

Variants

PL-1271-21461	12-24 V, orange, ECE-Straßenzulassung (Reg. 6)
PL-1564-21461	12-24 V, orange, ECE-Straßenzulassung (Reg. 6), mit Montage-Adapter

Accessories