

Part no. HU-221-21233

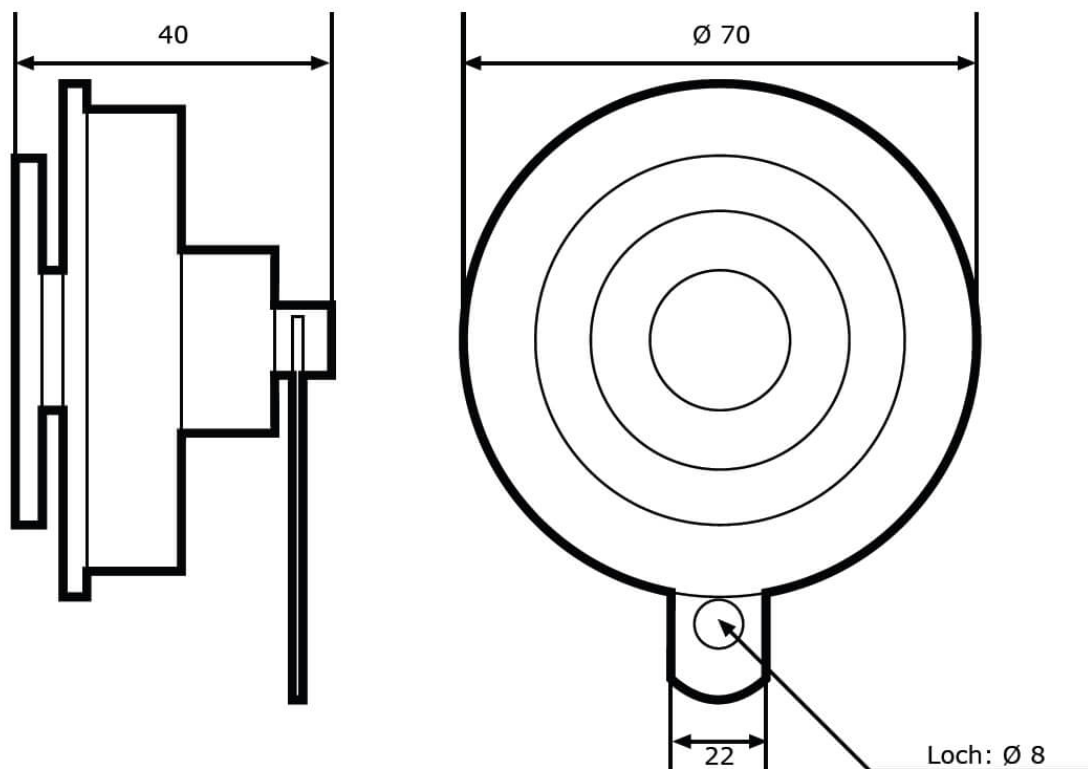
12 V, 335 Hz (low frequency), 110dB



Specifications

Voltage range (V), nominal	12
Voltage range (V), functional	
Power consumption (W)	18
Load capacity	
Temperature range (°C)	-20 bis 80
Brightness	
Brightness (raw lm)	
Brightness (effective lm)	
Brightness (cd)	
Brightness (lx)	
Performance class	
Beam pattern/lens	
Beam angle [°]	
Colour Temperature (K)	
Others	
Ingress protection	
Resistivity	

Dimensions



Mounting

Mounting type	Halteblech
Installation dimensions/diameter [mm]	
Installation depth [mm]	
Connector	Steckkontakte
Mating connector	
Reverse polarity protection	0

Part no. HU-221-21233

Others

Material (Housing)	Stahl (verzinkt)
Material (Diffusing lens)	
Color (Housing)	
Color (Mount)	
Color (Diffusing lens)	

Variants

HU-221-21233	12 V, 335 Hz (Tiefton), 110 dB
HU-225-22442	24 V, 420 Hz (Hochton), 110 dB

Accessories

HU-081-99999	Halblechsatz für Hupen-Montage
--------------	--------------------------------