

**Part no. HU-162-11233**

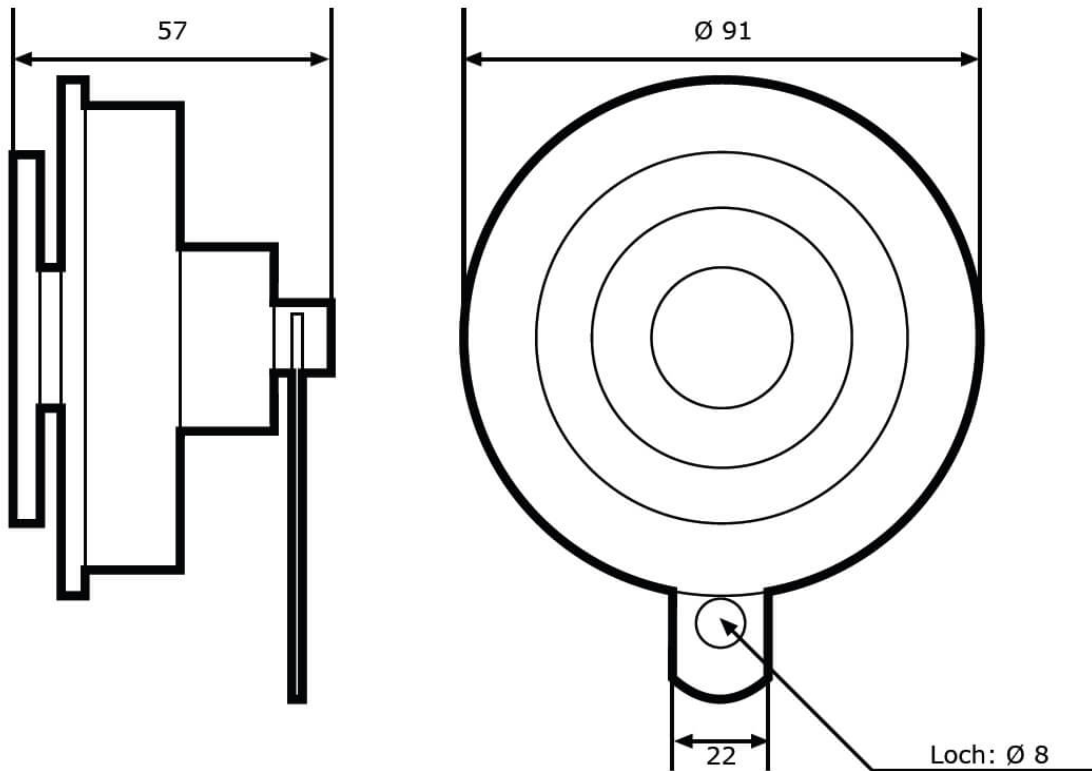


12 V, 335 Hz (low frequency), 112 dB

**Specifications**

<b>Voltage range (V), nominal</b>	12
<b>Voltage range (V), functional</b>	
<b>Power consumption (W)</b>	48
<b>Load capacity</b>	
<b>Temperature range (°C)</b>	-20 bis 80
<b>Brightness</b>	
<b>Brightness (raw lm)</b>	
<b>Brightness (effective lm)</b>	
<b>Brightness (cd)</b>	
<b>Brightness (lx)</b>	
<b>Performance class</b>	
<b>Beam pattern/lens</b>	
<b>Beam angle [°]</b>	
<b>Colour Temperature (K)</b>	
<b>Others</b>	
<b>Ingress protection</b>	
<b>Resistivity</b>	

## Dimensions



## Mounting

Mounting type	Halteblech
Installation dimensions/diameter [mm]	
Installation depth [mm]	
Connector	Steckkontakte
Mating connector	
Reverse polarity protection	0

Part no. HU-162-11233

## Others

Material (Housing)	Stahl (verzinkt)
Material (Diffusing lens)	
Color (Housing)	
Color (Mount)	
Color (Diffusing lens)	

## Variants

HU-162-11233	12 V, 335 Hz (Tiefton), 112 dB
HU-164-12435	24 V, 335 Hz (Tiefton), 112dB
HU-166-14833	48 V, 335 Hz (Tiefton), 112 dB
HU-168-18033	80 V, 335 Hz (Tiefton), 112 dB
HU-169-18042	80 V, 420 Hz (Hochton), 112dB
HU-003-80105	80 V, 335 Hz (Tiefton), 112 dB, Halterloch 10,5 mm
HU-2131-91711	80 V, 420 Hz (Hochton), 112dB, MCF

## Accessories

HU-081-99999	Halblechsatz für Hupen-Montage
--------------	--------------------------------