

**Part no. HU-1067-18335**

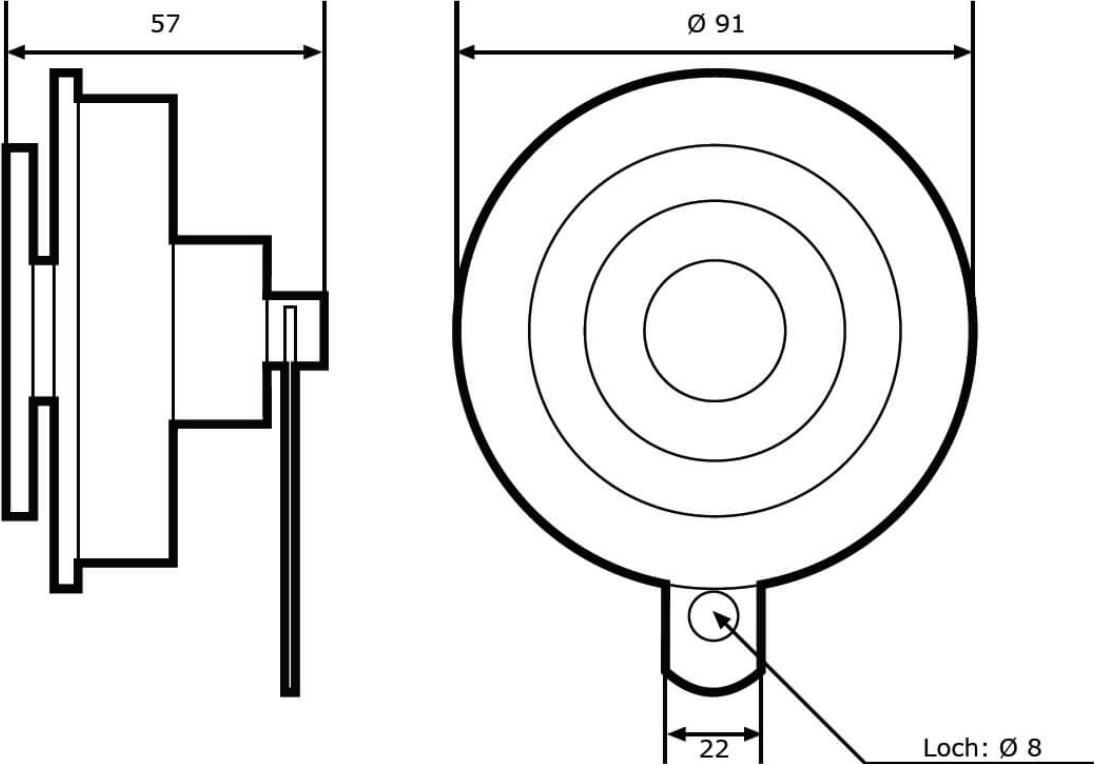


12-80 V, 350 Hz (low frequency), 110 dB

## Specifications

<b>Voltage range (V), nominal</b>	12-80
<b>Voltage range (V), functional</b>	
<b>Power consumption (W)</b>	8,4
<b>Load capacity</b>	
<b>Temperature range (°C)</b>	-20 bis 80
<b>Brightness</b>	
<b>Brightness (raw lm)</b>	
<b>Brightness (effective lm)</b>	
<b>Brightness (cd)</b>	
<b>Brightness (lx)</b>	
<b>Performance class</b>	
<b>Beam pattern/lens</b>	
<b>Beam angle [°]</b>	
<b>Colour Temperature (K)</b>	
<b>Others</b>	
<b>Ingress protection</b>	
<b>Resistivity</b>	

Dimensions



Mounting

Mounting type	Halteblech
Installation dimensions/diameter [mm]	
Installation depth [mm]	
Connector	Steckkontakte
Mating connector	
Reverse polarity protection	0

**Part no. HU-1067-18335**

## Others

<b>Material (Housing)</b>	Stahl (verzinkt)
<b>Material (Diffusing lens)</b>	
<b>Color (Housing)</b>	
<b>Color (Mount)</b>	
<b>Color (Diffusing lens)</b>	

## Variants

<b>HU-194-42448</b>	24-48 V, 430 Hz (Hochton), 110 dB
<b>HU-791-21280</b>	12-80 V, 410 Hz (Hochton), 110 dB
<b>HU-1067-18335</b>	12-80 V, 350 Hz (Tiefton), 110 dB

## Accessories

<b>HU-081-99999</b>	Halblechsatz für Hupen-Montage
---------------------	--------------------------------