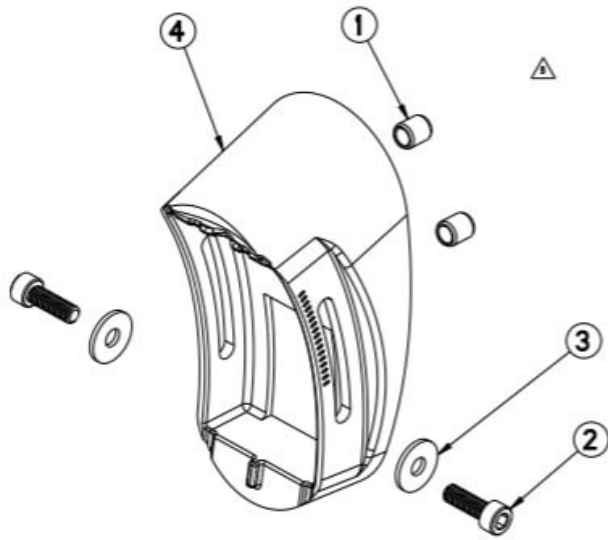


**Part no. FS-2345-82391**



for headlight model 515 and 517

## Specifications

<b>Voltage range (V), nominal</b>	
<b>Voltage range (V), functional</b>	
<b>Power consumption (W)</b>	
<b>Load capacity</b>	
<b>Temperature range (°C)</b>	
<b>Brightness</b>	
<b>Brightness (raw lm)</b>	
<b>Brightness (effective lm)</b>	
<b>Brightness (cd)</b>	
<b>Brightness (lx)</b>	
<b>Brightness (reference index)</b>	
<b>Performance class</b>	
<b>Beam pattern/lens</b>	
<b>Beam angle [°]</b>	
<b>Colour Temperature (K)</b>	
<b>Others</b>	
<b>Ingress protection</b>	
<b>Resistivity</b>	
<b>Standards</b>	
<b>Electromagnetic Compatibility</b>	
<b>Transient spike protection</b>	

**Part no. FS-2345-82391**

## Dimensions

## Mounting

<b>Mounting type</b>	Flat mounting (2 screws)
<b>Installation dimensions/diameter [mm]</b>	
<b>Installation depth [mm]</b>	
<b>Connector</b>	
<b>Mating connector</b>	
<b>Reverse polarity protection</b>	0

**Part no. FS-2345-82391**

## Others

Material (Housing)	Resin
Material (Diffusing lens)	
Color (Housing)	
Color (Mount)	
Color (Diffusing lens)	

## Beam pattern

## Variants

FS-2345-82391	für Fahrscheinwerfer Modell 515 und 517
---------------	---

## Accessories