

# LED-Fahrscheinwerfer Modell 8700 Evo 2 Classic

**Part no. FS-2071-87341**



12-24 V, low and high beam, DOT

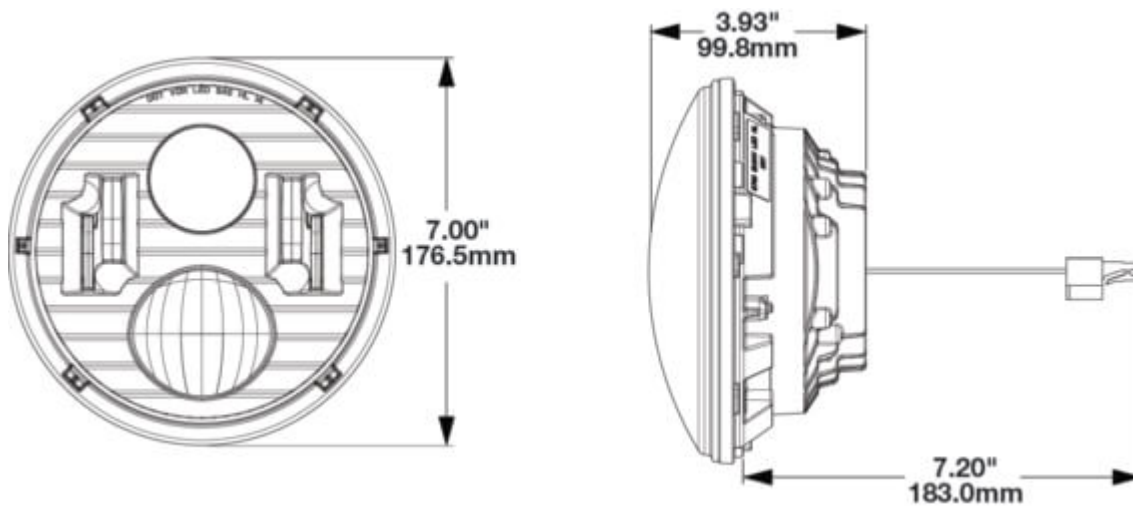
## Specifications

|                                      |                                       |
|--------------------------------------|---------------------------------------|
| <b>Voltage range (V), nominal</b>    | 12-24                                 |
| <b>Voltage range (V), functional</b> | 9-32                                  |
| <b>Power consumption (W)</b>         | 24-26,4 (Abblendl.), 42-43,2 (Fernl.) |
| <b>Load capacity</b>                 |                                       |
| <b>Temperature range (°C)</b>        | -40 bis 65                            |
| <b>Brightness</b>                    |                                       |
| <b>Brightness (raw lm)</b>           | 1770/3200 (Abblendl.(Fernl.))         |
| <b>Brightness (effective lm)</b>     | 750/1260 (Abblendl.(Fernl.))          |
| <b>Brightness (cd)</b>               | 35003/71500 (Abblendl.(Fernl.))       |
| <b>Brightness (lx)</b>               |                                       |
| <b>Brightness (reference index)</b>  |                                       |
| <b>Performance class</b>             |                                       |
| <b>Beam pattern/lens</b>             |                                       |
| <b>Beam angle [°]</b>                |                                       |
| <b>Colour Temperature (K)</b>        | 4500                                  |
| <b>Others</b>                        |                                       |
| <b>Ingress protection</b>            |                                       |
| <b>Resistivity</b>                   |                                       |
| <b>Standards</b>                     |                                       |
| <b>Electromagnetic Compatibility</b> |                                       |
| <b>Transient spike protection</b>    | 150 V @ 1 Hz-100 Pulse                |

# LED-Fahrscheinwerfer Modell 8700 Evo 2 Classic

Part no. FS-2071-87341

## Dimensions



## Mounting

|                                       |                    |
|---------------------------------------|--------------------|
| Mounting type                         | Einbau             |
| Installation dimensions/diameter [mm] | 176,53 (PAR56, 7") |
| Installation depth [mm]               |                    |
| Connector                             | H4-Stecker         |
| Mating connector                      |                    |
| Reverse polarity protection           | 1                  |
| Black wire                            | Masse              |
| Yellow wire                           | Abblendlicht       |
| White wire                            | Fernlicht          |

# LED-Fahrscheinwerfer Modell 8700 Evo 2 Classic

---

**Part no. FS-2071-87341**

## Others

|                                  |              |
|----------------------------------|--------------|
| <b>Material (Housing)</b>        | Aluminium    |
| <b>Material (Diffusing lens)</b> | Polycarbonat |
| <b>Color (Housing)</b>           | Grau         |
| <b>Color (Mount)</b>             | Chrom        |
| <b>Color (Diffusing lens)</b>    | Klar         |

## Beam pattern

## Variants

|                      |                                     |
|----------------------|-------------------------------------|
| <b>FS-2071-87341</b> | 12-24 V, Ablend- und Fernlicht, DOT |
|----------------------|-------------------------------------|

## Accessories