

LED-Fahrscheinwerfer Modell 8730 SmartHeat

Part no. FS-2070-87341



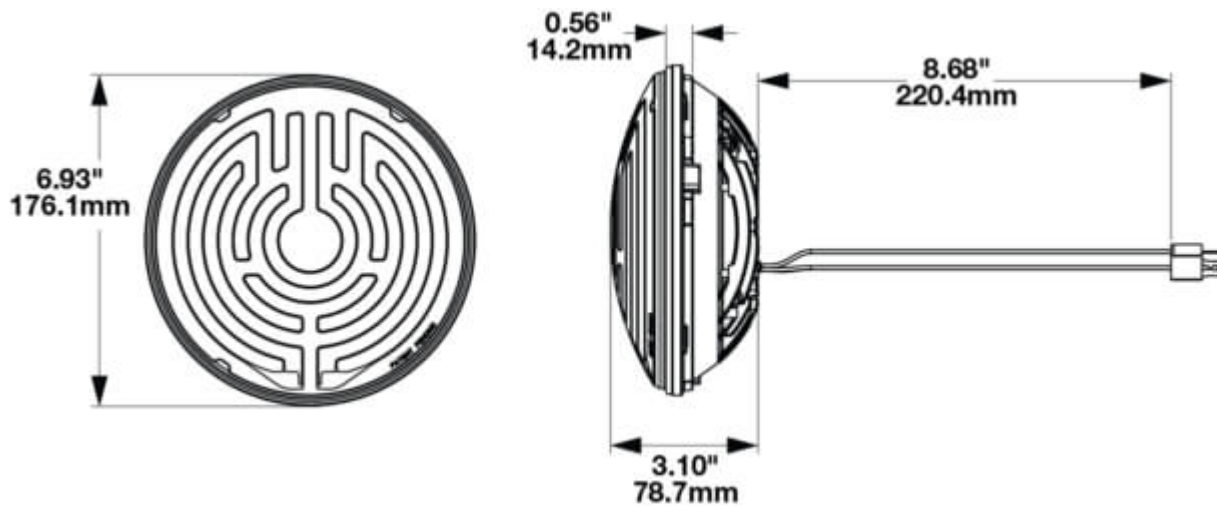
12-24 V, low and high beam, DOT, heated lens,
black bezel, set of 2 head lights

Specifications

Voltage range (V), nominal	12-24
Voltage range (V), functional	9-30
Power consumption (W)	27-24 (Abblend.), 33-30 (FernL.),
Load capacity	
Temperature range (°C)	
Brightness	
Brightness (raw lm)	2800/3574 (Abblendl./FernL.)
Brightness (effective lm)	925/1400 (Abblendl./FernL.)
Brightness (cd)	20500/62100 (Abblendl./FernL.)
Brightness (lx)	
Brightness (reference index)	
Performance class	
Beam pattern/lens	
Beam angle [°]	
Colour Temperature (K)	5000
Others	
Ingress protection	IP69K
Resistivity	
Standards	DOT, SAE (J1113-12, -21, -4)
Electromagnetic Compatibility	ECE (Reg. 10)
Transient spike protection	150 V @ 1 Hz-100 Pulse

Part no. FS-2070-87341

Dimensions



Mounting

Mounting type	Einbau
Installation dimensions/diameter [mm]	176,1 (PAR56, 7")
Installation depth [mm]	
Connector	H4-Stecker
Mating connector	
Reverse polarity protection	1
Black wire	Masse
Yellow wire	Abblendlicht
White wire	Fernlicht

LED-Fahrscheinwerfer Modell 8730 SmartHeat

Part no. FS-2070-87341

Others

Material (Housing)	Aluminium
Material (Diffusing lens)	Polycarbonat
Color (Housing)	Grau
Color (Mount)	Schwarz
Color (Diffusing lens)	Klar

Beam pattern

Variants

FS-2070-87341	12-24 V, Abblend- und Fernlicht, DOT, mit beheizter Frontscheibe, schwarze Einfassung, Set aus 2 Scheinwerfern
----------------------	--

Accessories