

Part no. FS-1937-55341

EVO J3™



J-LINK
Bluetooth

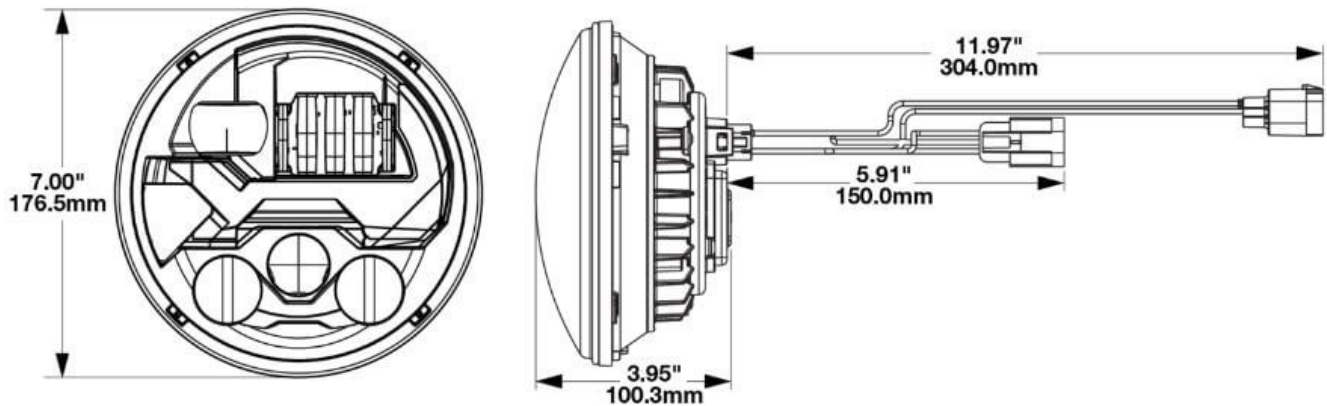
12 V, low and high beam, with front position, DRL and turn signal, 2 light kit, DOT

Specifications

Voltage range (V), nominal	12
Voltage range (V), functional	9-16
Power consumption (W)	
Load capacity	
Temperature range (°C)	-40 bis 65
Brightness	
Brightness (raw lm)	3020 (Abblendl.), 3600 (Fernl.)
Brightness (effective lm)	1201 (Abblendl.), 1320 (Fernl.)
Brightness (cd)	24800 (Abblendl.), 68800 (Fernl.)
Brightness (lx)	
Brightness (reference index)	
Performance class	
Beam pattern/lens	
Beam angle [°]	
Colour Temperature (K)	5000
Others	Bluetooth SIG Declaration
Ingress protection	IP69K
Resistivity	
Standards	FMVSS (s10.1 -VI, -XVIII, -XIX)
Electromagnetic Compatibility	ECE (Reg. 10)
Transient spike protection	150 V @ 1 Hz-10 Pulse

Part no. FS-1937-55341

Dimensions



Mounting

Mounting type	
Installation dimensions/diameter [mm]	
Installation depth [mm]	
Connector	Delphi GT150.45-3M (15326813)
Mating connector	Delphi GT150.45-3F (15326809)
Reverse polarity protection	1
Black wire	Masse
Red wire	Standlicht
Yellow wire	Abblendlicht
White wire	Fernlicht
Orange wire	Fahrtrichtungsanzeiger

Part no. FS-1937-55341

Others

Material (Housing)	Aluminium
Material (Diffusing lens)	Polycarbonat
Color (Housing)	Schwarz
Color (Mount)	Schwarz
Color (Diffusing lens)	Klar

Beam pattern

Variants

FS-1937-55341	12 V, Abblend- und Fernlicht, Standlicht, Tagfahrlicht, Fahrtrichtungsanzeiger, schwarz, Set aus 2 Scheinwerfern, DOT
----------------------	---

Accessories