

LED-Fahrscheinwerfer Modell 8415 Evolution

Part no. FS-1518-84342



12-24 V, low and high beam, ECE road approval
(Reg. 113), fixed mount

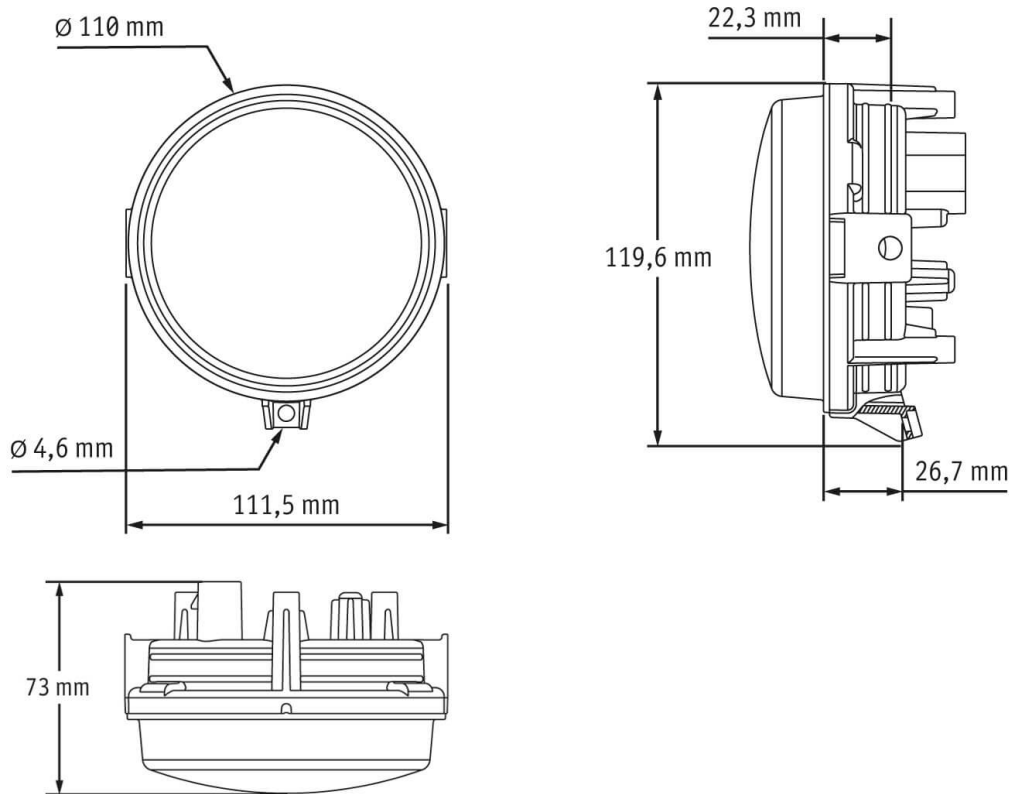
Specifications

Voltage range (V), nominal	12-24
Voltage range (V), functional	10-30
Power consumption (W)	13,68 (Abblendl.), 4,92 (Fernl.)
Load capacity	
Temperature range (°C)	-40 bis 65
Brightness	
Brightness (raw lm)	
Brightness (effective lm)	240 (Abblendl.), 720 (Fernl.)
Brightness (cd)	
Brightness (lx)	
Performance class	
Beam pattern/lens	Abblend- und Fernlicht
Beam angle [°]	
Colour Temperature (K)	5000
Others	
Ingress protection	IP67
Resistivity	

LED-Fahrscheinwerfer Modell 8415 Evolution

Part no. **FS-1518-84342**

Dimensions



Mounting

Mounting type	Einbau
Installation dimensions/diameter [mm]	110
Installation depth [mm]	
Connector	Delphi MP150-3M (12129615)
Mating connector	Delphi MP150-3F (12110293)
Reverse polarity protection	1

LED-Fahrscheinwerfer Modell 8415 Evolution

Part no. FS-1518-84342

Others

Material (Housing)	Xenoy
Material (Diffusing lens)	Polycarbonat
Color (Housing)	Schwarz
Color (Mount)	Schwarz
Color (Diffusing lens)	Klar

Variants

FS-1517-84341	12-24 V, Ablend- und Fernlicht, ECE-Straßenzulassung (Reg. 113), variable Halterung
FS-1518-84342	12-24 V, Ablend- und Fernlicht, ECE-Straßenzulassung (Reg. 113), fixe Halterung
FS-1595-84343	12-24 V, Ablend- und Fernlicht, ECE-Straßenzulassung (Reg. 113), UL, variable Halterung

Accessories