

# LED-Fahrscheinwerfer Modell 6130 Evolution

**Part no. FS-1426-61342**



12-24 V, low- & high beam, with position light,  
ECE road approval (Reg. 112)

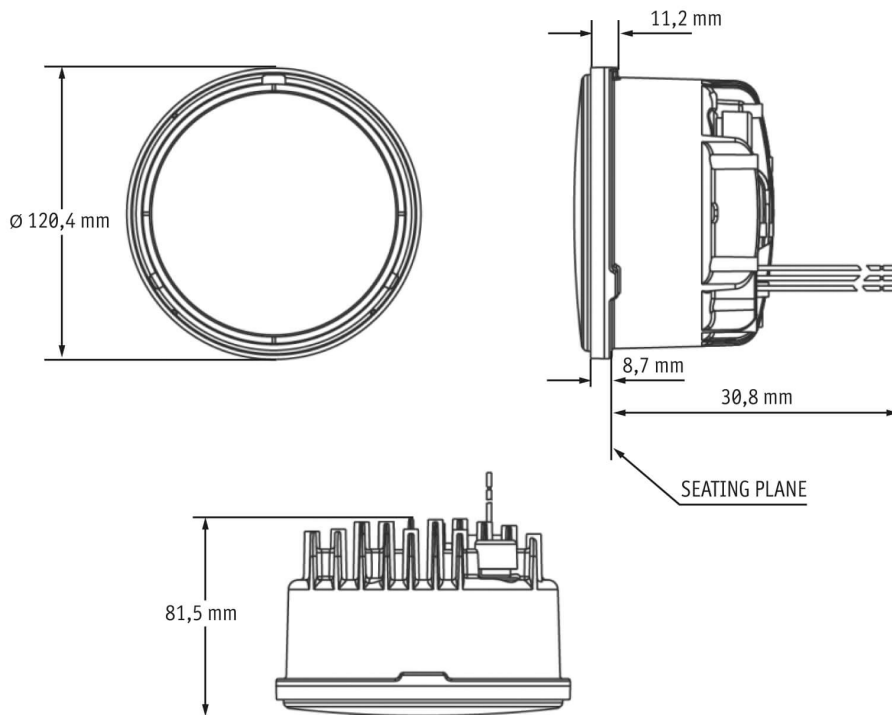
## Specifications

<b>Voltage range (V), nominal</b>	12-24
<b>Voltage range (V), functional</b>	10-32
<b>Power consumption (W)</b>	24,24-27,6 (Abblendl.); 34,32-36 (Fernl.); 1,44-2,16 (Standl.)
<b>Load capacity</b>	
<b>Temperature range (°C)</b>	
<b>Brightness</b>	
<b>Brightness (raw lm)</b>	
<b>Brightness (effective lm)</b>	440 (Abblendl.), 840 (Fernl.)
<b>Brightness (cd)</b>	
<b>Brightness (lx)</b>	
<b>Performance class</b>	
<b>Beam pattern/lens</b>	Abblend- und Fernlicht, Standlicht
<b>Beam angle [°]</b>	
<b>Colour Temperature (K)</b>	
<b>Others</b>	
<b>Ingress protection</b>	
<b>Resistivity</b>	

# LED-Fahrscheinwerfer Modell 6130 Evolution

Part no. FS-1426-61342

## Dimensions



## Mounting

<b>Mounting type</b>	Einbau
<b>Installation dimensions/diameter [mm]</b>	120
<b>Installation depth [mm]</b>	
<b>Connector</b>	Kabel
<b>Mating connector</b>	
<b>Reverse polarity protection</b>	1
<b>Black wire</b>	Masse
<b>Red wire</b>	Standlicht
<b>Yellow wire</b>	Abblendlicht
<b>White wire</b>	Fernlicht

# LED-Fahrscheinwerfer Modell 6130 Evolution

**Part no. FS-1426-61342**

## Others

<b>Material (Housing)</b>	Aluminium
<b>Material (Diffusing lens)</b>	Glas
<b>Color (Housing)</b>	Schwarz
<b>Color (Mount)</b>	Schwarz
<b>Color (Diffusing lens)</b>	Klar

## Variants

<b>FS-1426-61342</b>	12-24 V, Abblend- & Fernlicht, mit Standlicht, ECE-Strassenzulassung (Reg. 112)
<b>FS-1618-61344</b>	12-24 V, Abblend- & Fernlicht, mit Standlicht, ECE-Strassenzulassung (Reg. 112), Linksverkehr

## Accessories