

LED-Einbau-Nebelscheinwerfer Modell 6048

Part no. FS-1244-60482



12 V (9-18 V), 250 lm

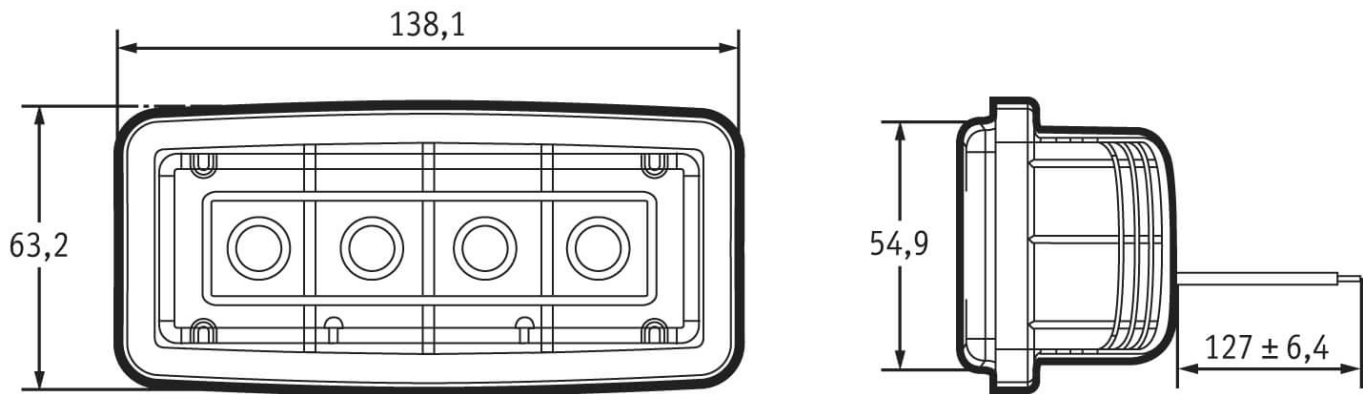
Specifications

Voltage range (V), nominal	12
Voltage range (V), functional	9-18
Power consumption (W)	14,4
Load capacity	
Temperature range (°C)	
Brightness	
Brightness (raw lm)	800
Brightness (effective lm)	250
Brightness (cd)	
Brightness (lx)	
Brightness (reference index)	
Performance class	
Beam pattern/lens	Nebellicht
Beam angle [°]	
Colour Temperature (K)	5000
Others	
Ingress protection	IP69K
Resistivity	
Standards	ECE (Reg. 19), SAE (J583)
Electromagnetic Compatibility	ECE (Reg. 10), SAE (J1113)
Transient spike protection	150 V @ 1 Hz-100 Pulse

LED-Einbau-Nebelscheinwerfer Modell 6048

Part no. FS-1244-60482

Dimensions



Mounting

Mounting type	Einbau
Installation dimensions/diameter [mm]	138,1x63,2
Installation depth [mm]	45,1
Connector	Kabel
Mating connector	
Reverse polarity protection	1
Black wire	Masse
Red wire	Nebelscheinwerfer

LED-Einbau-Nebelscheinwerfer Modell 6048

Part no. FS-1244-60482

Others

Material (Housing)	Aluminium
Material (Diffusing lens)	Polycarbonat
Color (Housing)	Schwarz
Color (Mount)	Schwarz
Color (Diffusing lens)	Klar

Beam pattern

Variants

FS-1244-60482	12 V (9-18 V), 250 lm
----------------------	-----------------------

Accessories