

Part no. FS-1236-1235



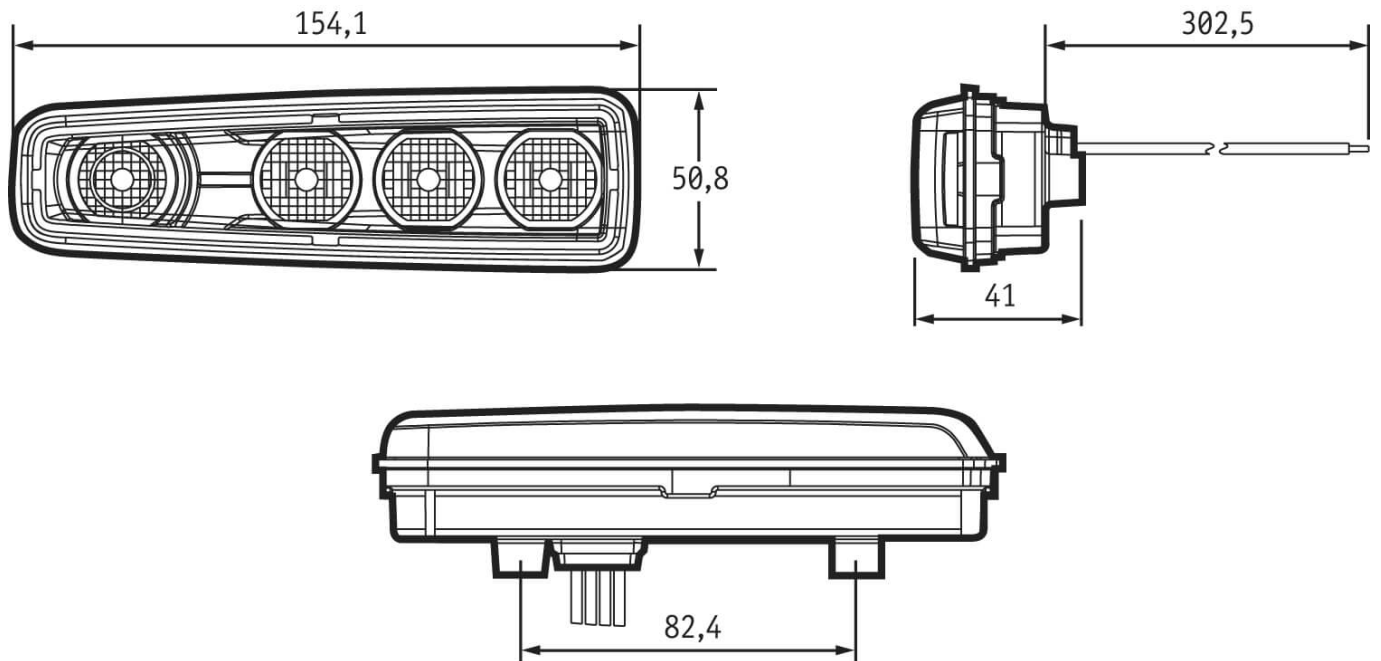
12-24 V, front position and driving light, incl.
turn signal

Specifications

Voltage range (V), nominal	12-24
Voltage range (V), functional	10-32
Power consumption (W)	4,08
Load capacity	
Temperature range (°C)	-40 bis 65
Brightness	
Brightness (raw lm)	
Brightness (effective lm)	380
Brightness (cd)	
Brightness (lx)	
Brightness (reference index)	
Performance class	
Beam pattern/lens	Stand- und Fahrlicht, Fahrtrichtungsanzeiger
Beam angle [°]	
Colour Temperature (K)	5000
Others	
Ingress protection	IP69K
Resistivity	
Standards	
Electromagnetic Compatibility	
Transient spike protection	330 V @ 1 Hz-100 Pulse

Part no. FS-1236-12350

Dimensions



Mounting

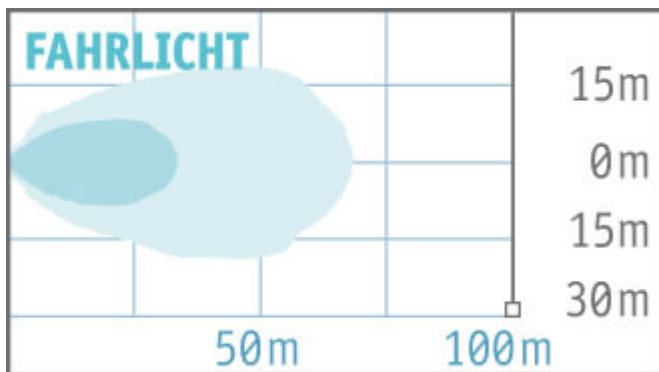
Mounting type	Einbau, M5-1 (2x)
Installation dimensions/diameter [mm]	
Installation depth [mm]	
Connector	Kabel
Mating connector	
Reverse polarity protection	1
Black wire	Masse
Red wire	Fahrtrichtungsanzeiger
Yellow wire	Standlicht
White wire	Fahrlicht

Part no. FS-1236-12350

Others

Material (Housing)	Aluminium
Material (Diffusing lens)	Polycarbonat
Color (Housing)	Schwarz
Color (Mount)	Chrom
Color (Diffusing lens)	Klar

Beam pattern



Variants

FS-1236-12350	12-24 V, Stand- & Fahrlicht inkl. Fahrtrichtungsanzeiger
---------------	--

Accessories