

**Part no. CB-302-9302**

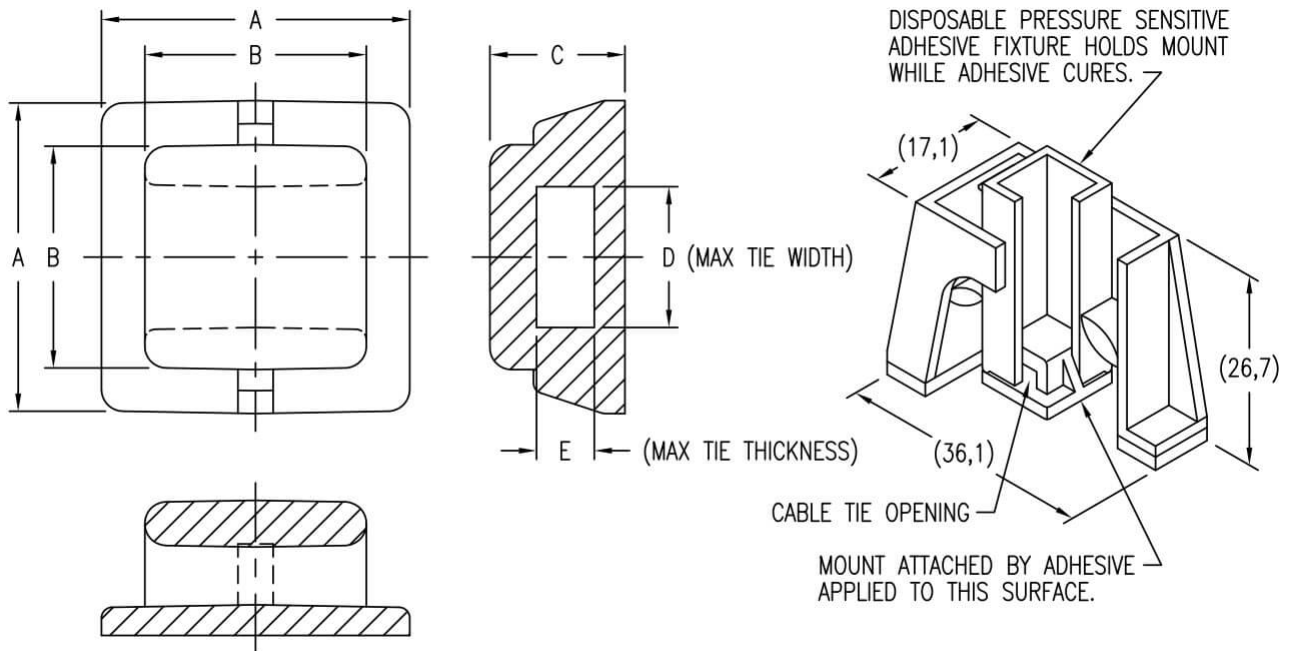


up to 5 mm, CB9302

## Specifications

<b>Voltage range (V), nominal</b>	
<b>Voltage range (V), functional</b>	
<b>Power consumption (W)</b>	
<b>Load capacity</b>	
<b>Temperature range (°C)</b>	
<b>Brightness</b>	
<b>Brightness (raw lm)</b>	
<b>Brightness (effective lm)</b>	
<b>Brightness (cd)</b>	
<b>Brightness (lx)</b>	
<b>Performance class</b>	
<b>Beam pattern/lens</b>	
<b>Beam angle [°]</b>	
<b>Colour Temperature (K)</b>	
<b>Others</b>	
<b>Ingress protection</b>	
<b>Resistivity</b>	

### Dimensions



### Mounting

Mounting type	
Installation dimensions/diameter [mm]	
Installation depth [mm]	
Connector	
Mating connector	
Reverse polarity protection	0

**Part no. CB-302-93020**

## Others

<b>Material (Housing)</b>	
<b>Material (Diffusing lens)</b>	
<b>Color (Housing)</b>	
<b>Color (Mount)</b>	
<b>Color (Diffusing lens)</b>	

## Variants

<b>CB-301-91200</b>	bis 9 mm, quer, CB9120
<b>CB-302-93020</b>	bis 5 mm, CB9302

## Accessories

<b>CB-905-10081</b>	Spenderpistole mit Spenderschlitten für Mischverhältnis 8:1, Industrie-Standard
<b>CB-903-10601</b>	Misch-Kanüle für Spenderpistole
<b>CB-901-20001</b>	Kleber CB200 40 ml, in Kartusche