

Part no. BL-977-41025

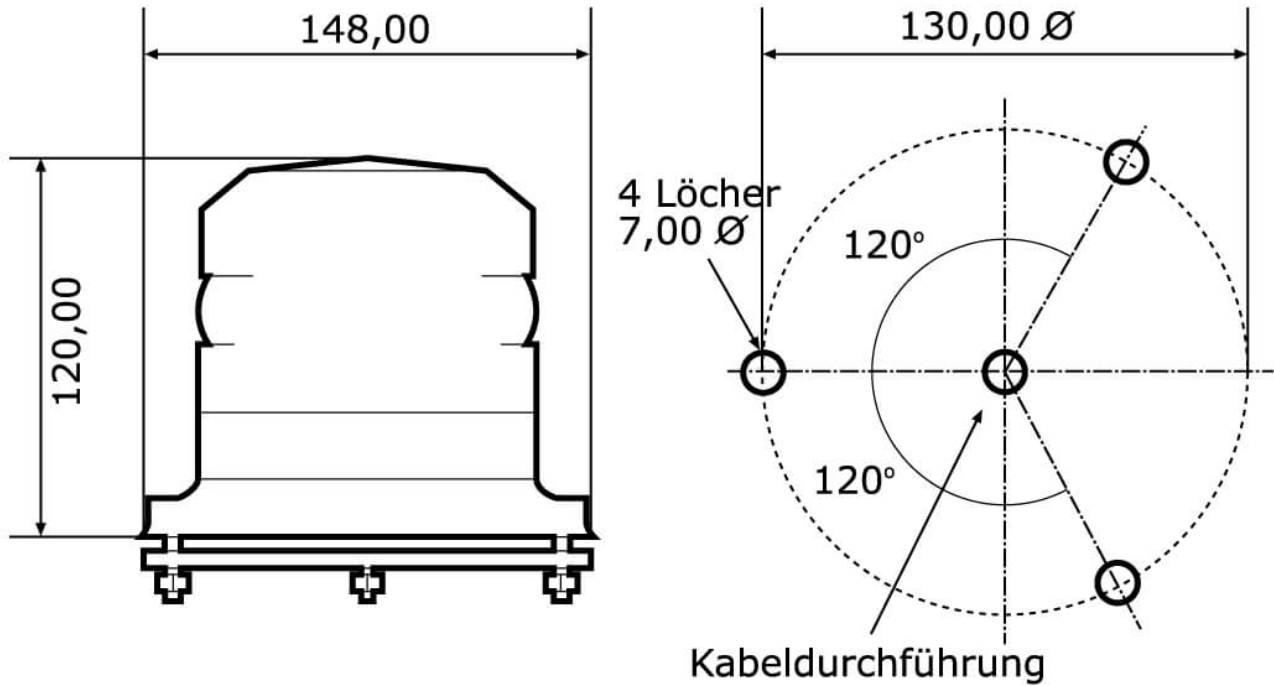
10-100 V, 2 W, amber



Specifications

| | |
|--|------------|
| Voltage range (V), nominal | 10-100 |
| Voltage range (V), functional | |
| Power consumption (W) | 2 |
| Load capacity | |
| Temperature range (°C) | -20 bis 55 |
| Brightness | |
| Brightness (raw lm) | |
| Brightness (effective lm) | |
| Brightness (cd) | |
| Brightness (lx) | |
| Performance class | |
| Beam pattern/lens | |
| Beam angle [°] | |
| Colour Temperature (K) | |
| Frequency, revolutions (Hz, rpm, fpm) | 75 fpm |
| Others | |
| Ingress protection | IP65 |
| Resistivity | |
| Standards | |
| Electromagnetic Compatibility | ja |
| Transient spike protection | |

Dimensions



Mounting

| | |
|---------------------------------------|--------------------------|
| Mounting type | Dachmontage, 3 Schrauben |
| Installation dimensions/diameter [mm] | 148 |
| Installation depth [mm] | |
| Connector | Kabel |
| Mating connector | |
| Reverse polarity protection | 0 |
| Socket | |
| Black wire | Masse |
| Red wire | Blitzleuchte |

Part no. BL-977-41025

Others

| | |
|---------------------------|----------------|
| Material (Housing) | ABS-Kunststoff |
| Material (Diffusing lens) | Polycarbonat |
| Color (Housing) | Schwarz |
| Color (Mount) | |
| Color (Diffusing lens) | Orange |

Beam pattern

Variants

| | |
|--------------|-----------------------|
| BL-977-41025 | 10-100 V, 2 W, orange |
|--------------|-----------------------|

Accessories