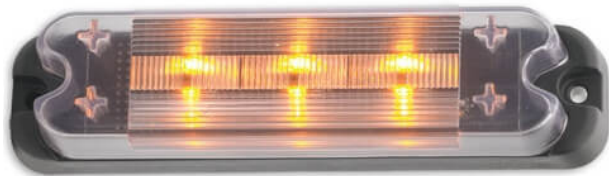


Part no. **BL-949-28412**



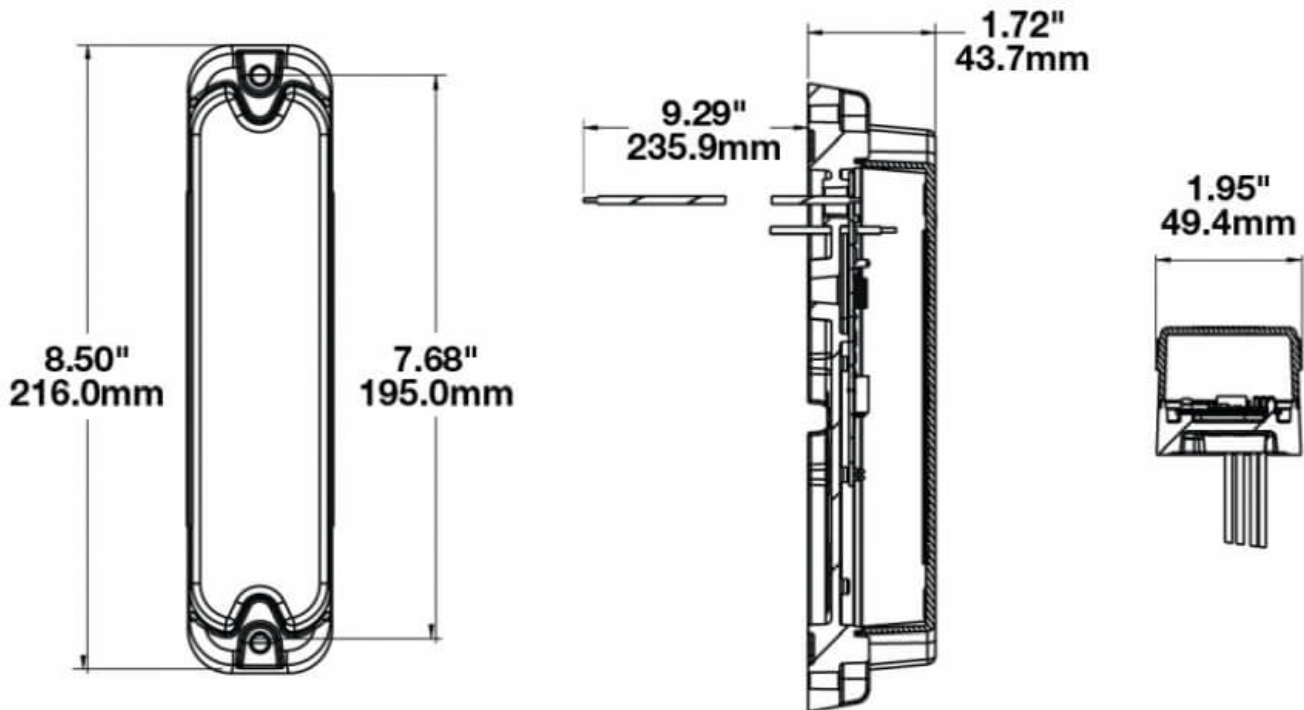
12-48 V, amber

## Specifications

<b>Voltage range (V), nominal</b>	12-48
<b>Voltage range (V), functional</b>	
<b>Power consumption (W)</b>	6
<b>Load capacity</b>	
<b>Temperature range (°C)</b>	-40 bis 65
<b>Brightness</b>	
<b>Brightness (raw lm)</b>	
<b>Brightness (effective lm)</b>	
<b>Brightness (cd)</b>	
<b>Brightness (lx)</b>	
<b>Performance class</b>	
<b>Beam pattern/lens</b>	
<b>Beam angle [°]</b>	
<b>Colour Temperature (K)</b>	5000
<b>Frequency, revolutions (Hz, rpm, fpm)</b>	
<b>Others</b>	
<b>Ingress protection</b>	IP67
<b>Resistivity</b>	
<b>Standards</b>	UL, SAE (J845)
<b>Electromagnetic Compatibility</b>	
<b>Transient spike protection</b>	

Part no. BL-949-28412

## Dimensions



## Mounting

<b>Mounting type</b>	Flachmontage (mit Kabeldurchführung), 2 Schrauben
<b>Installation dimensions/diameter [mm]</b>	
<b>Installation depth [mm]</b>	
<b>Connector</b>	Kabel
<b>Mating connector</b>	
<b>Reverse polarity protection</b>	1
<b>Socket</b>	
<b>Black wire</b>	Masse
<b>Red wire</b>	Blitzleuchte

**Part no. BL-949-28412**

## Others

Material (Housing)	ABS-Kunststoff
Material (Diffusing lens)	Acryl
Color (Housing)	Schwarz
Color (Mount)	
Color (Diffusing lens)	Weiß

## Beam pattern

## Variants

BL-949-28412	12-48 V, orange
--------------	-----------------

## Accessories