

Part no. BL-927-97032

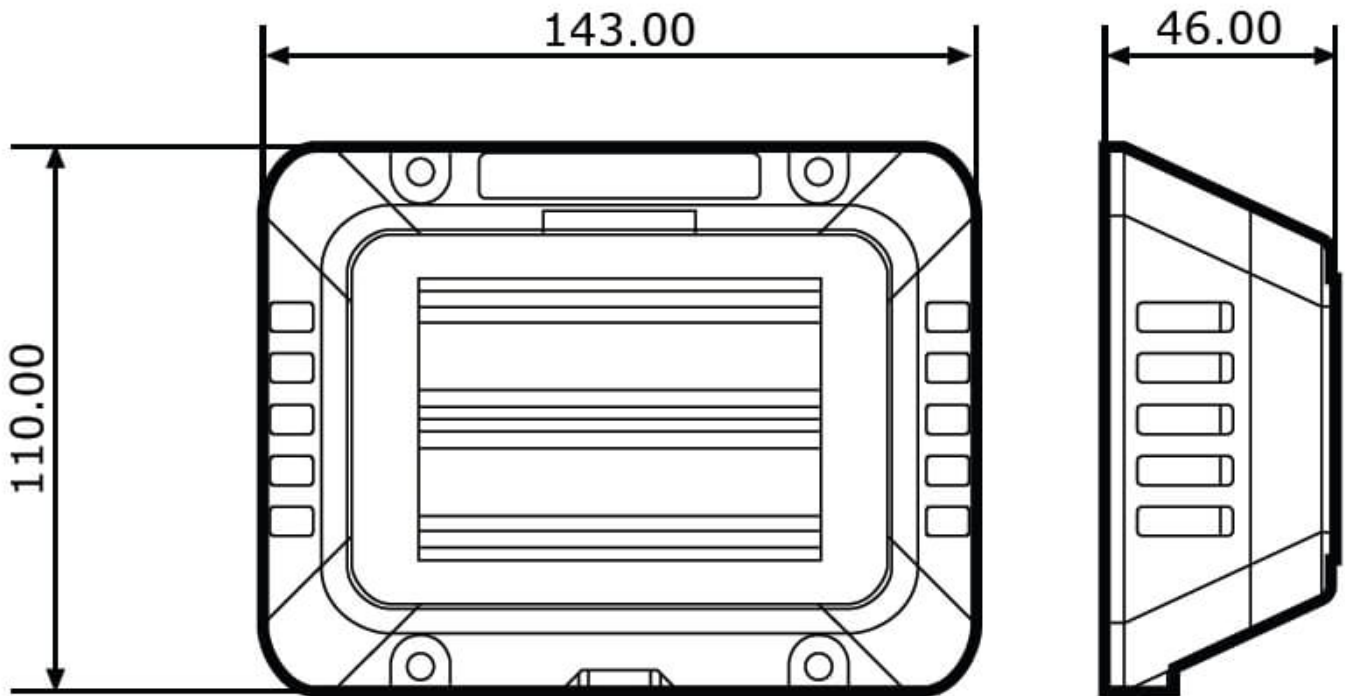


12-24 V, amber, ECE road approval (Reg. 65), flat mounting

Specifications

Voltage range (V), nominal	12-24
Voltage range (V), functional	
Power consumption (W)	4,8
Load capacity	
Temperature range (°C)	
Brightness	
Brightness (raw lm)	
Brightness (effective lm)	
Brightness (cd)	
Brightness (lx)	
Performance class	
Beam pattern/lens	
Beam angle [°]	
Colour Temperature (K)	
Frequency, revolutions (Hz, rpm, fpm)	120
Others	
Ingress protection	IP67
Resistivity	
Standards	ECE (Reg. 65)
Electromagnetic Compatibility	
Transient spike protection	

Dimensions



Mounting

Mounting type	Flachmontage (4 Schrauben)
Installation dimensions/diameter [mm]	
Installation depth [mm]	
Connector	Kabel
Mating connector	
Reverse polarity protection	1
Socket	

Part no. BL-927-97032

Others

Material (Housing)	
Material (Diffusing lens)	
Color (Housing)	Schwarz
Color (Mount)	
Color (Diffusing lens)	Klar

Beam pattern

Variants

BL-927-97032	12-24 V, orange, ECE-Straßenzulassung (Reg. 65), Flachmontage
---------------------	---

Accessories