

Part no. BL-657-201

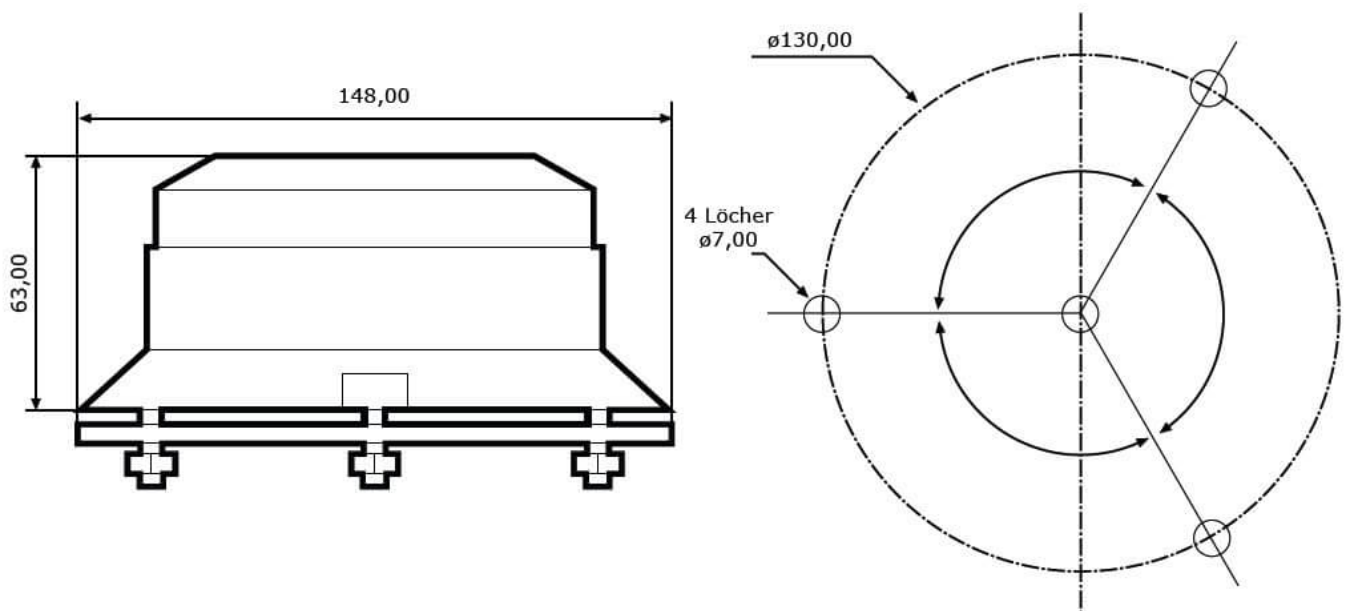


10-100 V, amber, roof mounting

Specifications

Voltage range (V), nominal	20-100
Voltage range (V), functional	
Power consumption (W)	
Load capacity	
Temperature range (°C)	-20 bis 55
Brightness	
Brightness (raw lm)	
Brightness (effective lm)	
Brightness (cd)	
Brightness (lx)	
Performance class	
Beam pattern/lens	
Beam angle [°]	
Colour Temperature (K)	
Frequency, revolutions (Hz, rpm, fpm)	60
Others	
Ingress protection	IP65
Resistivity	
Standards	
Electromagnetic Compatibility	
Transient spike protection	

Dimensions



Mounting

Mounting type	Dachmontage (3 Schrauben)
Installation dimensions/diameter [mm]	148
Installation depth [mm]	
Connector	Kabel
Mating connector	
Reverse polarity protection	1
Socket	

Part no. BL-657-20100

Others

Material (Housing)	ABS-Kunststoff
Material (Diffusing lens)	
Color (Housing)	Schwarz
Color (Mount)	
Color (Diffusing lens)	Orange

Beam pattern

Variants

BL-657-20100	20-100 V, orange, Dachmontage
--------------	-------------------------------

Accessories