

Part no. BL-467-12062

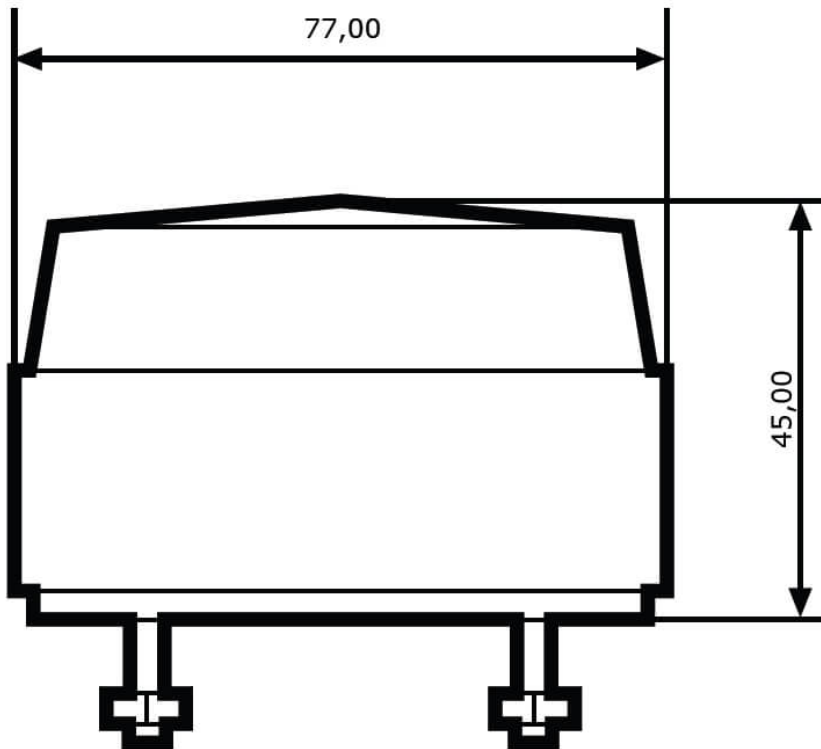
10-100 V, 2W, amber



Specifications

Voltage range (V), nominal	10-100
Voltage range (V), functional	
Power consumption (W)	2
Load capacity	
Temperature range (°C)	-30 bis 60
Brightness	
Brightness (raw lm)	
Brightness (effective lm)	
Brightness (cd)	
Brightness (lx)	
Performance class	
Beam pattern/lens	
Beam angle [°]	
Colour Temperature (K)	
Others	
Ingress protection	IP67
Resistivity	

Dimensions



Mounting

Mounting type	Dachmontage (2 Schrauben)
Installation dimensions/diameter [mm]	
Installation depth [mm]	
Connector	
Mating connector	
Reverse polarity protection	1

Part no. BL-467-12062

Others

Material (Housing)	Polycarbonat
Material (Diffusing lens)	Polycarbonat
Color (Housing)	Schwarz
Color (Mount)	
Color (Diffusing lens)	Orange

Variants

BL-389-72332	10-100 V, 5 W, orange
BL-467-12062	10-100 V, 2W, orange

Accessories