

Part no. BL-2267-52511

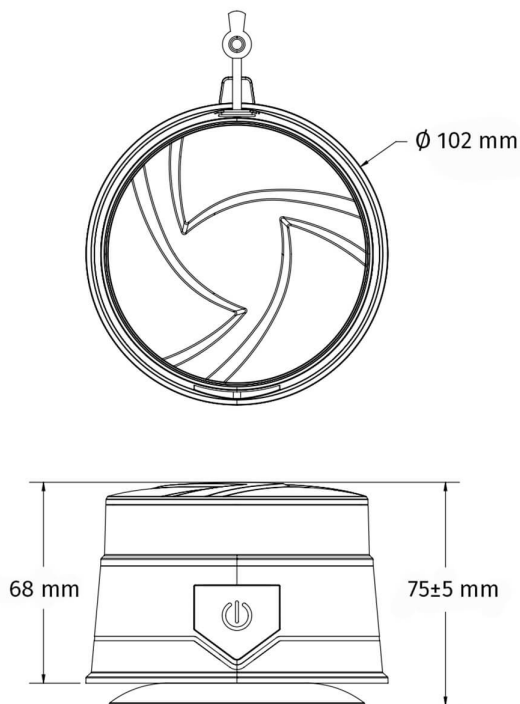


12-24 V, orange, with magnetic base, vehicle charging cable and remote control

Specifications

Voltage range (V), nominal	12-24
Voltage range (V), functional	9-32
Power consumption (W)	9,6-10,2
Load capacity	
Temperature range (°C)	-40 bis 65
Brightness	SAE Kl. II
Brightness (raw lm)	
Brightness (effective lm)	
Brightness (cd)	
Brightness (lx)	
Performance class	
Beam pattern/lens	
Beam angle [°]	
Colour Temperature (K)	
Frequency, revolutions (Hz, rpm, fpm)	7 verschiedene Blitzmuster
Others	mit Fernbedienung
Ingress protection	IP69K
Resistivity	
Standards	ECE (Reg. 10)
Electromagnetic Compatibility	
Transient spike protection	

Dimensions



Mounting

Mounting type	Magnethalter, Saugnapf
Installation dimensions/diameter [mm]	
Installation depth [mm]	
Connector	Bordspannungsstecker
Mating connector	
Reverse polarity protection	1
Socket	

Part no. BL-2267-52511

Others

Material (Housing)	Aluminium
Material (Diffusing lens)	Polycarbonat
Color (Housing)	Schwarz
Color (Mount)	
Color (Diffusing lens)	Orange

Beam pattern

Variants

BL-2267-52511	12-24 V, Orange, mit Magnetfuß, Kfz.-Ladekabel und Fernbedienung
----------------------	--

Accessories