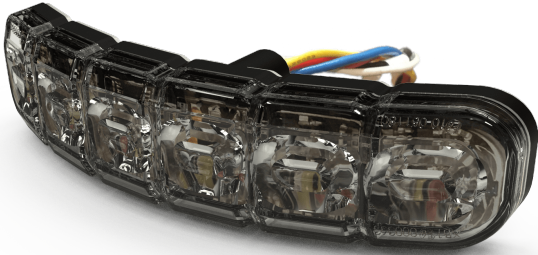


Part no. BL-2118-37541



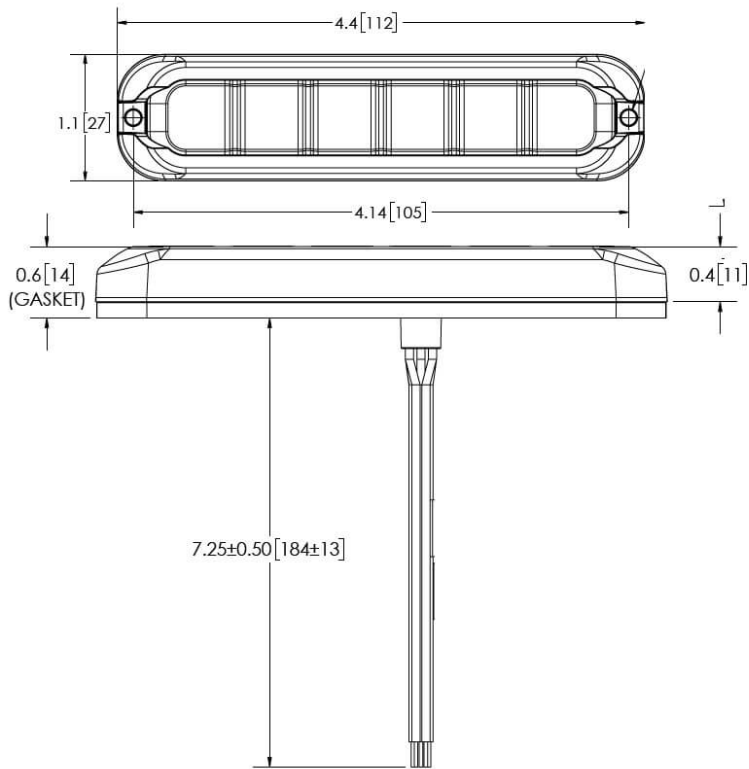
12-24 V, amber/white, flexible housing

Specifications

Voltage range (V), nominal	12-24
Voltage range (V), functional	
Power consumption (W)	9,6
Load capacity	
Temperature range (°C)	-30 bis 50
Brightness	SAE Kl. I / II
Brightness (raw lm)	
Brightness (effective lm)	
Brightness (cd)	
Brightness (lx)	
Performance class	
Beam pattern/lens	
Beam angle [°]	
Colour Temperature (K)	
Frequency, revolutions (Hz, rpm, fpm)	69 versch. Blitzmuster
Others	
Ingress protection	IP69K
Resistivity	
Standards	ECE (Reg. 65)
Electromagnetic Compatibility	ECE (Reg. 10)
Transient spike protection	

Part no. **BL-2118-37541**

Dimensions



Mounting

Mounting type	Klebung
Installation dimensions/diameter [mm]	
Installation depth [mm]	
Connector	Kabel
Mating connector	
Reverse polarity protection	1
Socket	

Part no. BL-2118-37541

Others

Material (Housing)	
Material (Diffusing lens)	Silikon
Color (Housing)	Schwarz
Color (Mount)	
Color (Diffusing lens)	Klar

Beam pattern

Variants

BL-2118-37541	12-24 V, orange /weiß, flexibles Gehäuse
---------------	--

Accessories