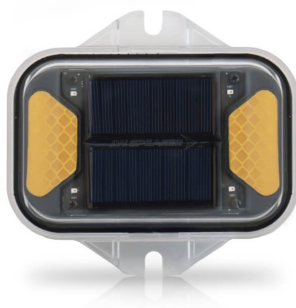


Part no. BL-2087-21451



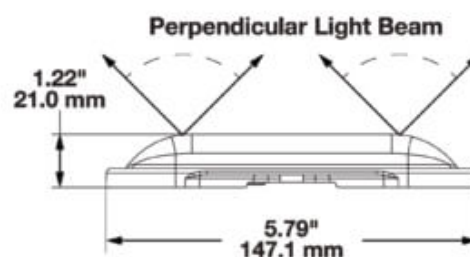
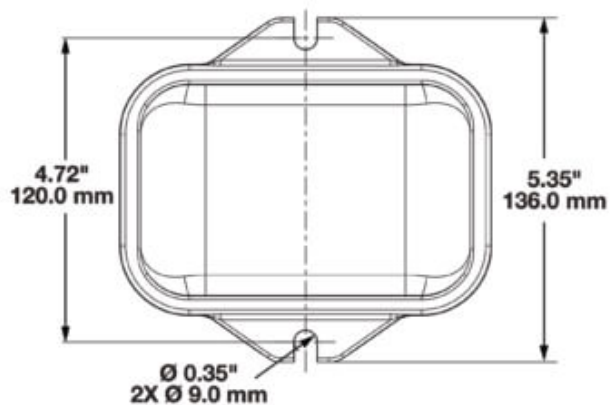
amber, self-charging battery (solar-powered)

Specifications

Voltage range (V), nominal	
Voltage range (V), functional	
Power consumption (W)	
Load capacity	
Temperature range (°C)	-40 bis 65
Brightness	
Brightness (raw lm)	
Brightness (effective lm)	
Brightness (cd)	11
Brightness (lx)	
Performance class	
Beam pattern/lens	
Beam angle [°]	90 (2x)
Colour Temperature (K)	
Others	selbstladender Akku (solar)
Ingress protection	IP69K
Resistivity	

Part no. **BL-2087-21451**

Dimensions



Mounting

Mounting type	Flachmontage
Installation dimensions/diameter [mm]	
Installation depth [mm]	
Connector	n.a.
Mating connector	n.a.
Reverse polarity protection	0

Part no. BL-2087-21451

Others

Material (Housing)	Polycarbonat
Material (Diffusing lens)	Acryl
Color (Housing)	Schwarz
Color (Mount)	
Color (Diffusing lens)	Klar

Variants

BL-2087-21451	gelb, mit selbstladendem Akku (solar)
BL-2088-21451	rot, mit selbstladendem Akku (solar)
BL-2089-21451	gelb, mit selbstladendem Akku (solar), mit Clickbond-Montageset
BL-2090-21451	rot, mit selbstladendem Akku (solar), mit Clickbond-Montageset

Accessories