

Part no. BL-1839-38523



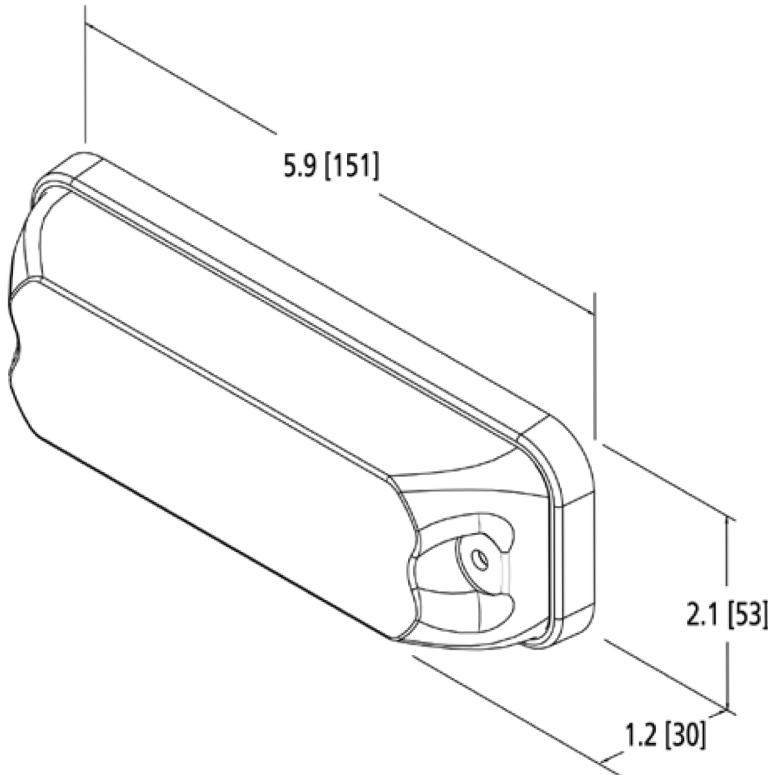
12-24 V, red

Specifications

Voltage range (V), nominal	12-48
Voltage range (V), functional	
Power consumption (W)	4,8
Load capacity	
Temperature range (°C)	-30 bis 50
Brightness	
Brightness (raw lm)	
Brightness (effective lm)	
Brightness (cd)	
Brightness (lx)	
Performance class	
Beam pattern/lens	
Beam angle [°]	
Colour Temperature (K)	
Others	15 versch. Blitzmuster
Ingress protection	
Resistivity	

Part no. BL-1839-38523

Dimensions



Mounting

Mounting type	Oberflächenmontage
Installation dimensions/diameter [mm]	
Installation depth [mm]	
Connector	Kabel
Mating connector	
Reverse polarity protection	1

Part no. BL-1839-38523

Others

Material (Housing)	Polycarbonat
Material (Diffusing lens)	Polycarbonat
Color (Housing)	Schwarz
Color (Mount)	
Color (Diffusing lens)	Klar

Variants

BL-1836-38520	12-48 V, orange, ECE-Straßenzulassung (Reg. 65)
BL-1837-38521	12-24V, blau
BL-1838-38522	12-48 V, weiß
BL-1839-38523	12-24 V, rot

Accessories