

Part no. BL-1514-40512



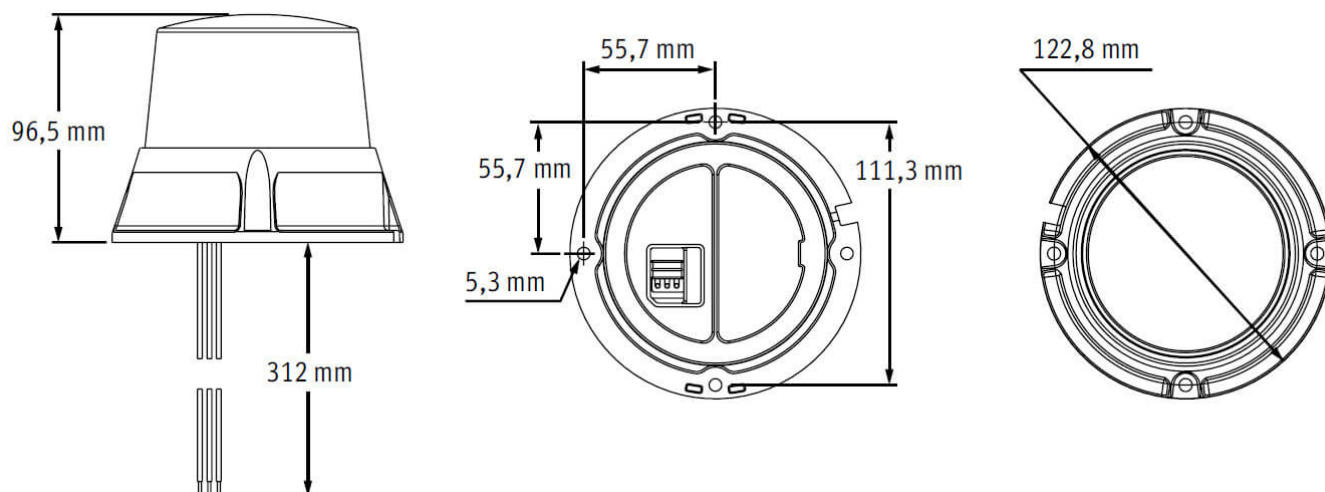
12-80 V (9-110 V), green, 6 flashing modes (incl. rotating modus), Class I

Specifications

Voltage range (V), nominal	12-80
Voltage range (V), functional	9-110
Power consumption (W)	11-13.7
Load capacity	
Temperature range (°C)	-40 to 65
Brightness	SAE Cl. I
Brightness (raw lm)	
Brightness (effective lm)	
Brightness (cd)	560
Brightness (lx)	
Performance class	
Beam pattern/lens	
Beam angle [°]	
Colour Temperature (K)	
Others	6 diff. strobe pattern (incl. rotating mode)
Ingress protection	IP67
Resistivity	

Part no. **BL-1514-40512**

Dimensions



Mounting

Mounting type	Roof mount, 4 screws
Installation dimensions/diameter [mm]	122,8
Installation depth [mm]	
Connector	Bare wire leads
Mating connector	
Reverse polarity protection	1
Black wire	Masse
Red wire	Blitzleuchte
Yellow wire	Moduswahl

LED-Rundumkenn- und Blitzleuchte Modell 407

Part no. BL-1514-40512

Others

Material (Housing)	Aluminium
Material (Diffusing lens)	Polycarbonat
Color (Housing)	Schwarz
Color (Mount)	
Color (Diffusing lens)	Grün

Variants

BL-1514-40512	12-80 V (9-110 V), grün, 6 Blitzmodi (inkl. Rundummodus), Class I
BL-1527-40513	12-80 V (9-110 V), rot, 6 Blitzmodi (inkl. Rundummodus), Class I
BL-1561-40512	12-80 V (9-110 V), orange, 6 Blitzmodi (inkl. Rundummodus), SAE Class I, ECE (Reg. 65), Rohrmontage (DIN)

Accessories

ZU-1588-40514	Befestigungs-Sockel 406 / 407 für Rohrmontage (DIN), für LED-Rundumkenn- und Blitzleuchte Modell 406/407
----------------------	--