

Part no. **BL-015-50186**

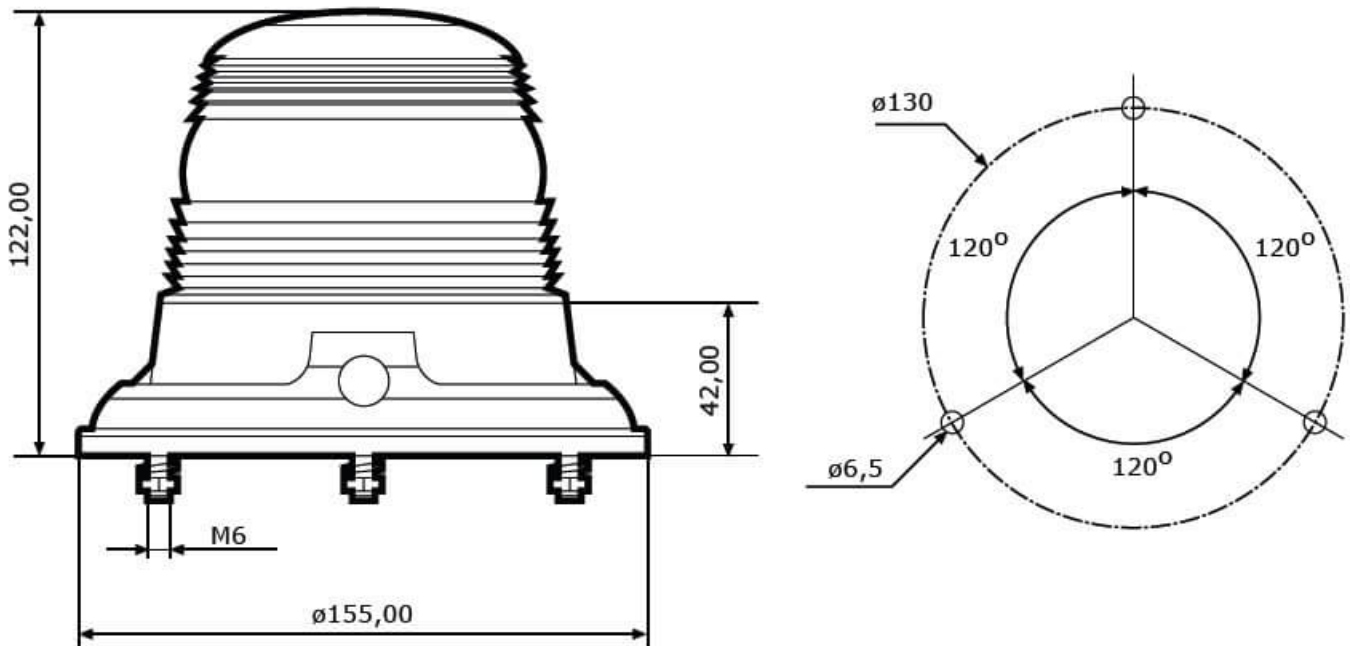


12-100 V, 2 W, amber, roof mounting

## Specifications

Voltage range (V), nominal	10-100
Voltage range (V), functional	
Power consumption (W)	5
Load capacity	
Temperature range (°C)	
Brightness	
Brightness (raw lm)	
Brightness (effective lm)	
Brightness (cd)	1800
Brightness (lx)	
Performance class	
Beam pattern/lens	
Beam angle [°]	
Colour Temperature (K)	
Frequency, revolutions (Hz, rpm, fpm)	
Others	
Ingress protection	IP54
Resistivity	
Standards	
Electromagnetic Compatibility	
Transient spike protection	

## Dimensions



## Mounting

Mounting type	Dachmontage
Installation dimensions/diameter [mm]	130
Installation depth [mm]	
Connector	
Mating connector	
Reverse polarity protection	0
Socket	

**Part no. BL-015-50186**

## Others

Material (Housing)	Technopolymer
Material (Diffusing lens)	Polycarbonat
Color (Housing)	Schwarz
Color (Mount)	
Color (Diffusing lens)	

## Beam pattern

## Variants

BL-015-50186	12-100 V, 2 W, orange, Dachmontage
--------------	------------------------------------

## Accessories