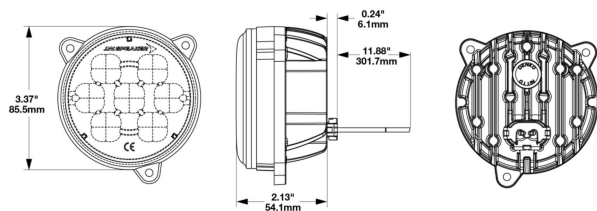


LED-Einbau-Arbeitscheinwerfer Modell 4415

Part no. AS-2221-44111

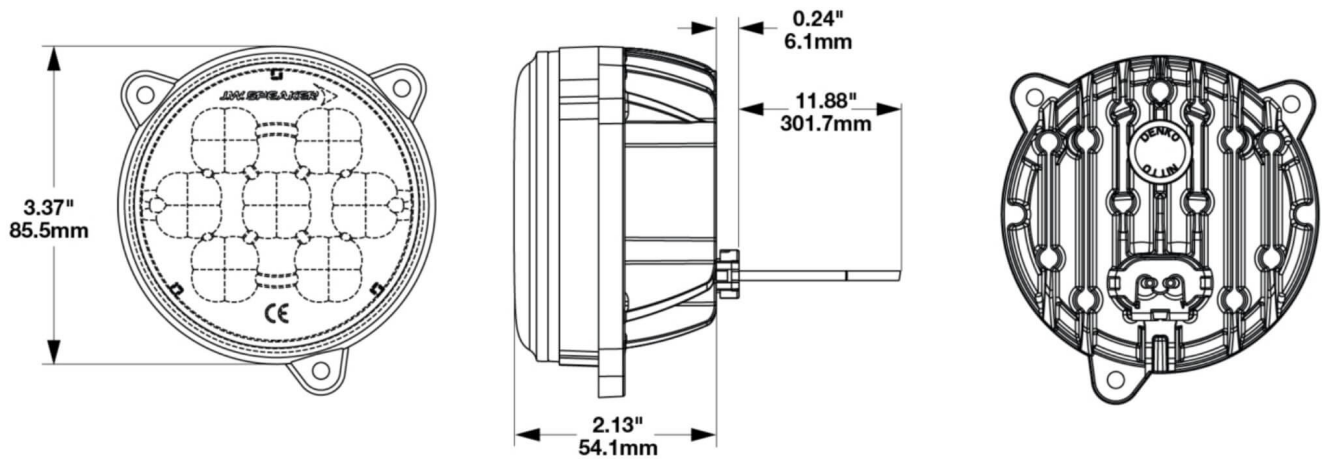


12-24 V, flood

Specifications

Voltage range (V), nominal	12-24
Voltage range (V), functional	10-32
Power consumption (W)	26,4
Load capacity	
Temperature range (°C)	-40 bis 65
Brightness	
Brightness (raw lm)	3220
Brightness (effective lm)	1700
Brightness (cd)	2900
Brightness (lx)	
Performance class	
Beam pattern/lens	
Beam angle [°]	
Colour Temperature (K)	2850
Others	
Ingress protection	IP67 & IP69K
Resistivity	
Standards	
Electromagnetic Compatibility	
Transient spike protection	

Dimensions



Mounting

Mounting type	Einbau
Installation dimensions/diameter [mm]	85,5
Installation depth [mm]	
Connector	Packard (#12084167)
Mating connector	Packard (#12059183)
Reverse polarity protection	1
Black wire	Masse
Red wire	Arbeitsscheinwerfer

LED-Einbau-Arbeitsscheinwerfer Modell 4415

Part no. AS-2221-44111

Others

Material (Housing)	Aluminium
Material (Diffusing lens)	Polycarbonat
Color (Housing)	Schwarz
Color (Mount)	
Color (Diffusing lens)	Klar

Beam pattern

Variants

AS-2221-44111	12-24 V, Geländeausleuchtung
---------------	------------------------------

Accessories