

**Part no. AS-2185-89111**



12-24 V, wide flood

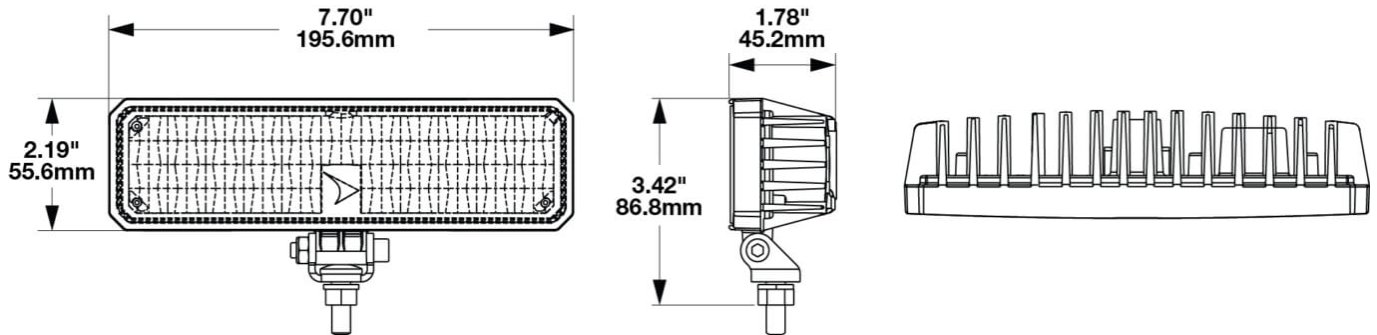
## Specifications

<b>Voltage range (V), nominal</b>	12-24
<b>Voltage range (V), functional</b>	9-32
<b>Power consumption (W)</b>	43,2-54,0
<b>Load capacity</b>	
<b>Temperature range (°C)</b>	-40 bis 60
<b>Brightness</b>	
<b>Brightness (raw lm)</b>	
<b>Brightness (effective lm)</b>	3700
<b>Brightness (cd)</b>	
<b>Brightness (lx)</b>	
<b>Performance class</b>	über 3000 lm eff.
<b>Beam pattern/lens</b>	
<b>Beam angle [°]</b>	
<b>Colour Temperature (K)</b>	
<b>Others</b>	
<b>Ingress protection</b>	IP67 / IP69K
<b>Resistivity</b>	
<b>Standards</b>	
<b>Electromagnetic Compatibility</b>	ECE (Reg. 10)
<b>Transient spike protection</b>	330 V @ 1 Hz-100 Pulse

# LED-Arbeitsscheinwerfer Modell 893

Part no. AS-2185-89111

## Dimensions



## Mounting

Mounting type	Universalhalterung, 5/16"
Installation dimensions/diameter [mm]	
Installation depth [mm]	
Connector	Deutsch-Stecker (DT04-2P), integriert
Mating connector	Deutsch-Stecker (DT06-2S)
Reverse polarity protection	1
Black wire	Masse
Red wire	Arbeitsscheinwerfer

**Part no. AS-2185-89111**

## Others

Material (Housing)	Aluminium
Material (Diffusing lens)	Polycarbonat
Color (Housing)	Schwarz
Color (Mount)	
Color (Diffusing lens)	Klar

## Beam pattern

## Variants

AS-2185-89111	12-24 V, breite Geländeausleuchtung
---------------	-------------------------------------

## Accessories