

LED-Einbau-Arbeitsscheinwerfer Modell 792

Part no. **AS-2113-79111**



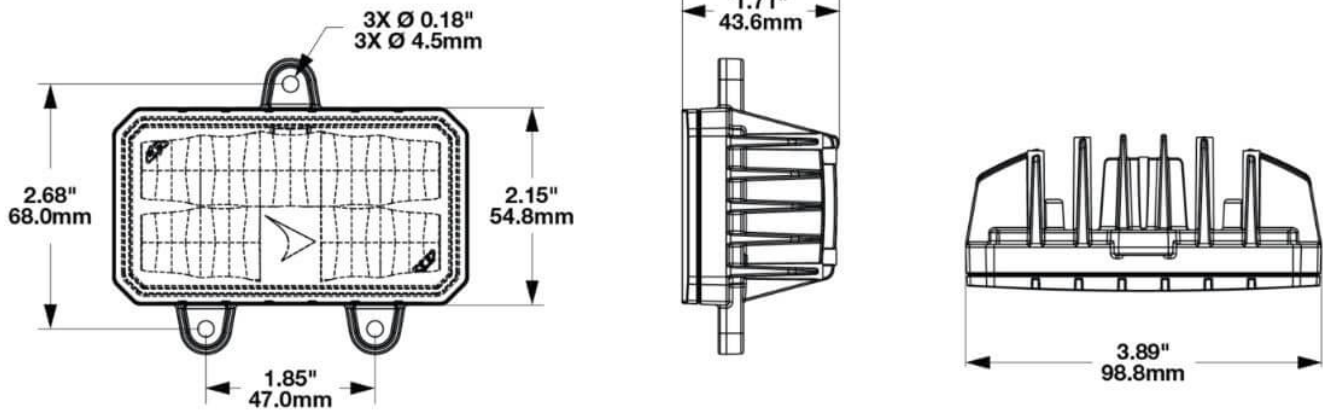
12.24 V, flood

Specifications

Voltage range (V), nominal	12-24
Voltage range (V), functional	9-30
Power consumption (W)	24-26,4
Load capacity	
Temperature range (°C)	-40 bis 65
Brightness	
Brightness (raw lm)	3630
Brightness (effective lm)	2000
Brightness (cd)	2900
Brightness (lx)	
Performance class	1000 bis 3000 lm eff.
Beam pattern/lens	
Beam angle [°]	
Colour Temperature (K)	
Others	
Ingress protection	IP69K
Resistivity	

Part no. AS-2113-79111

Dimensions



Mounting

Mounting type	Einbau
Installation dimensions/diameter [mm]	
Installation depth [mm]	
Connector	JAE MX19A003S51, mit Kabel
Mating connector	
Reverse polarity protection	1
Black wire	Masse
Red wire	Arbeitsscheinwerfer

LED-Einbau-Arbeitsscheinwerfer Modell 792

Part no. AS-2113-79111

Others

Material (Housing)	Aluminium
Material (Diffusing lens)	Polycarbonat
Color (Housing)	Schwarz
Color (Mount)	
Color (Diffusing lens)	Klar

Variants

AS-2113-79111	12-24 V, Geländeausleuchtung
AS-2114-79111	36-90 V, Geländeausleuchtung

Accessories