

**Part no. AS-2055-71141**



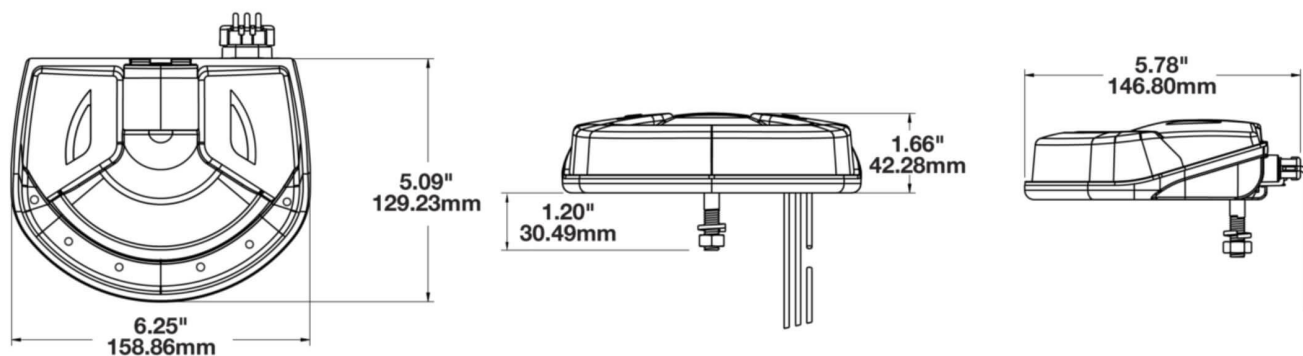
12-110 V, 1600/780 lm, dual beam, Deutsch plug

## Specifications

<b>Voltage range (V), nominal</b>	12-110
<b>Voltage range (V), functional</b>	9-110
<b>Power consumption (W)</b>	18,48-22 (3 LEDs), 19,8-25,3 (6 LEDs)
<b>Load capacity</b>	
<b>Temperature range (°C)</b>	
<b>Brightness</b>	
<b>Brightness (raw lm)</b>	1630 / 2000 (3/6 LEDs)
<b>Brightness (effective lm)</b>	780 / 1600 (3/6 LEDs)
<b>Brightness (cd)</b>	
<b>Brightness (lx)</b>	
<b>Performance class</b>	1000 bis 3000 lm eff.
<b>Beam pattern/lens</b>	Spez. Hubmast-Lichtbild / 160° Ausleuchtung
<b>Beam angle [°]</b>	
<b>Colour Temperature (K)</b>	
<b>Others</b>	
<b>Ingress protection</b>	IP67
<b>Resistivity</b>	

Part no. AS-2055-71141

## Dimensions



## Mounting

<b>Mounting type</b>	
<b>Installation dimensions/diameter [mm]</b>	
<b>Installation depth [mm]</b>	
<b>Connector</b>	Deutsch-Stecker (DT04-2P)
<b>Mating connector</b>	Deutsch-Stecker (DT06-2S)
<b>Reverse polarity protection</b>	1

Part no. AS-2055-71141

## Others

Material (Housing)	Polycarbonat
Material (Diffusing lens)	Polycarbonat
Color (Housing)	Schwarz
Color (Mount)	
Color (Diffusing lens)	Klar

## Variants

AS-1752-71141	12-110V, 1600/780 Lumen, Dual-Beam, Delphi MP
AS-2055-71141	12-110 V, 1600/780 Lumen, Dual-Beam, Deutsch-Stecker

## Accessories

CB-906-42010	Kleber CB420, 10 ml, mit Misch-Kanüle
CB-902-20002	Kleber CB200 3,5 g, Kit
CB-102-12582	Stehbolzen CS125 M8x35mm, 31,8mm Durchmesser, Edelstahl
CB-201-20081	Stehbolzenmutter CN125 M6x25mm, 31,8mm Durchmesser, Edelstahl