

Part no. AS-2000-44121

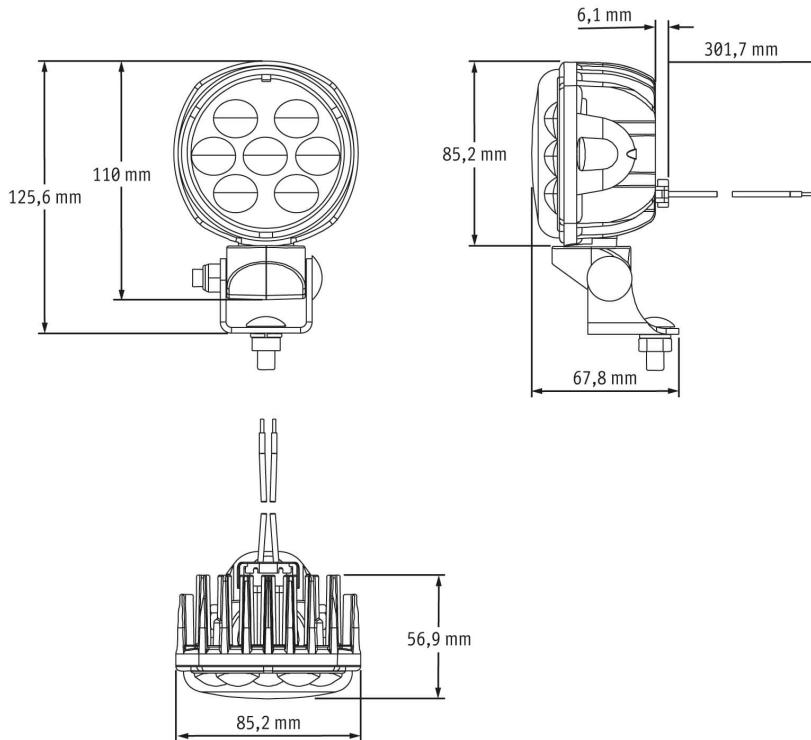


12-110 V, 1350 lm, trap

Specifications

Voltage range (V), nominal	12-110
Voltage range (V), functional	
Power consumption (W)	24-27,5
Load capacity	
Temperature range (°C)	-40 bis 85
Brightness	
Brightness (raw lm)	2450
Brightness (effective lm)	1350
Brightness (cd)	
Brightness (lx)	
Performance class	1000 bis 3000 lm eff.
Beam pattern/lens	Nahfeldausleuchtung
Beam angle [°]	
Colour Temperature (K)	5000
Others	
Ingress protection	IP67
Resistivity	

Dimensions



Mounting

Mounting type	Universalhalterung
Installation dimensions/diameter [mm]	
Installation depth [mm]	
Connector	Delphi MP280-2M (12084167), integriert
Mating connector	Delphi MP280-2F (12059183)
Reverse polarity protection	1
Black wire	Masse
Red wire	Arbeitscheinwerfer

Part no. AS-2000-44121

Others

Material (Housing)	Aluminium
Material (Diffusing lens)	Polycarbonat
Color (Housing)	Schwarz
Color (Mount)	
Color (Diffusing lens)	Klar

Variants

AS-1368-44111	12-24 V, 1350 lm, Nahfeldausleuchtung
AS-1662-44131	12-24 V, 1350 lm, Spot
AS-2000-44121	12-110 V, 1350 lm, Nahfeldausleuchtung

Accessories

ZU-1881-44991	Blendschutz für Arbeitsscheinwerfer Modell 4415(SV)
----------------------	-----------------------------------------------------