

LED-Arbeitsscheinwerfer Modell 670 XD

Part no. AS-1880-67111



12-110 V, flood

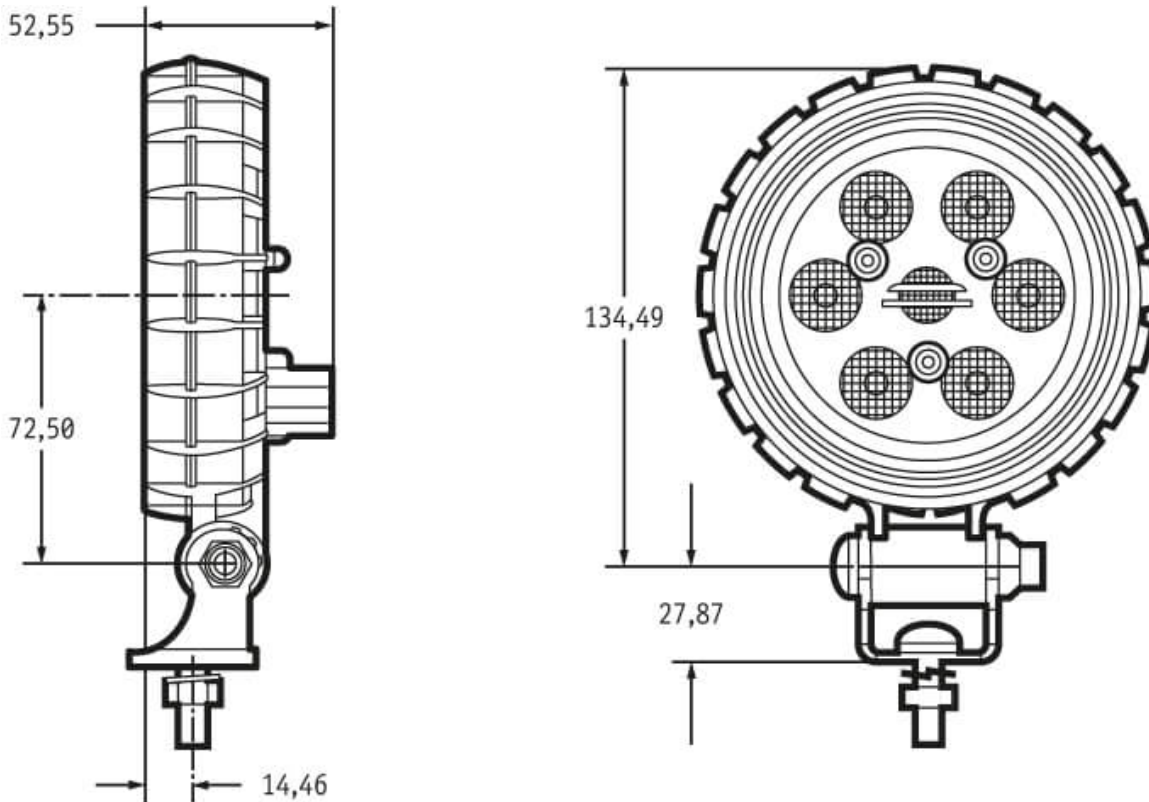
Specifications

Voltage range (V), nominal	12-110
Voltage range (V), functional	10-130
Power consumption (W)	14,4-22
Load capacity	
Temperature range (°C)	-40 bis 65
Brightness	
Brightness (raw lm)	1080
Brightness (effective lm)	780
Brightness (cd)	
Brightness (lx)	
Performance class	bis 1000 lm eff.
Beam pattern/lens	Geländeausleuchtung
Beam angle [°]	
Colour Temperature (K)	5000
Others	
Ingress protection	IP69K
Resistivity	

LED-Arbeitsscheinwerfer Modell 670 XD

Part no. AS-1880-67111

Dimensions



Mounting

Mounting type	Universalhalterung
Installation dimensions/diameter [mm]	
Installation depth [mm]	
Connector	Deutsch-Stecker (DT04-2P)
Mating connector	Deutsch-Stecker (DT06-2S)
Reverse polarity protection	1
Black wire	Masse
Red wire	Arbeitsscheinwerfer

LED-Arbeitsscheinwerfer Modell 670 XD

Part no. AS-1880-67111

Others

Material (Housing)	Polycarbonat
Material (Diffusing lens)	Polycarbonat
Color (Housing)	Schwarz
Color (Mount)	
Color (Diffusing lens)	Klar

Variants

AS-1182-67012	12-24 V, 780 lm, Geländeausleuchtung
AS-1375-67021	12-24 V, 780 lm, Nahfeldausleuchtung
AS-1880-67111	12-110 V, Geländeausleuchtung

Accessories